

Item description/product images



**Description**

**Material:**  
Adapter aluminium.

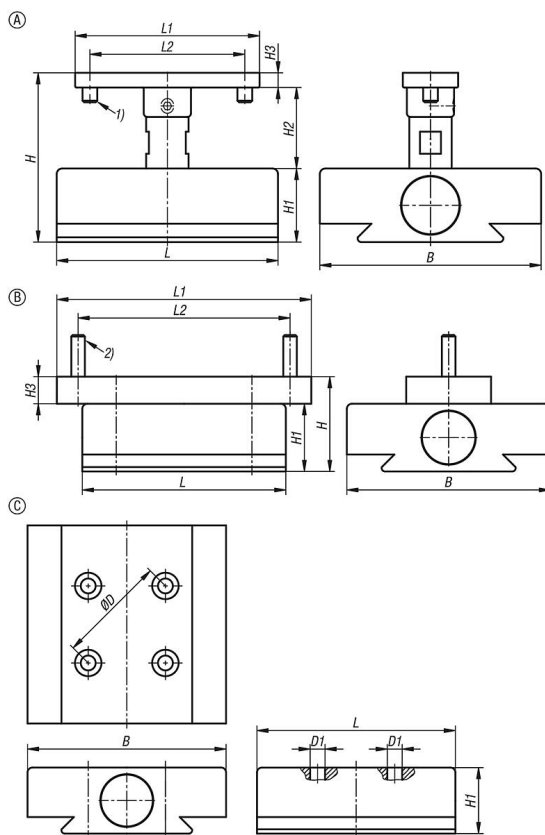
**Version:**  
Hard-coated aluminium.

**Note:**  
The aluminium adapter for precision vice are accessories to the precision vices and mini precision vices. By using this adapter together with a quick-action clamp, a precision vice can be connected to a quick-change system. The adapter enables the precision vice to be mounted onto various quick-action clamps quickly and effectively.

**Accessory:**  
Precision vice 33225, mini precision vice 33225-10, angle element 33227-10 and quick-action clamp 33227-05.

**Drawing reference:**  
1) DIN 7991 M4x8  
2) DIN 7911 M4x12

Drawings



Overview of items

Order No.	Form	B	D	D1	H	H1	H2	H3	L	L1	L2	Suitable for
33225-20-15	A	60	-	-	46	20	22	4	60	50	42	33225-10-15140, 33225-10-15142

## Overview of items

Order No.	Form	B	D	D1	H	H1	H2	H3	L	L1	L2	Suitable for
33225-20-25	B	60	-	-	28	20	-	8	60	75	62,5	33225-10-25230, 33225-10-25231
33225-20-35	C	60	33	4,5	-	20	-	-	60	-	-	33225-10-35320, 33225-10-35321