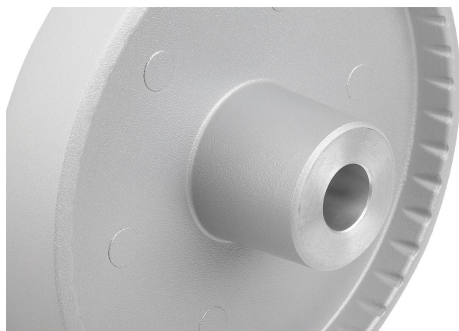
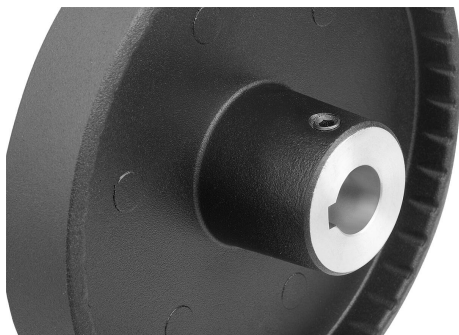
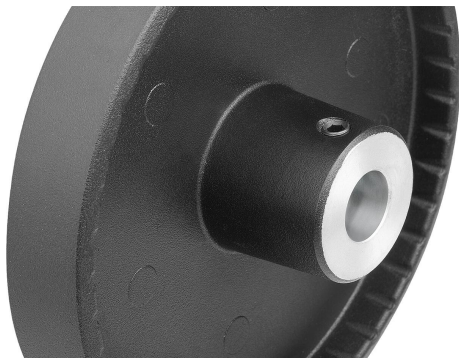


Item description/product images

**Description****Material:**

Handwheel aluminium.
Hub cover black thermoplastic.
ISO 4027 grub screw, steel grade 45 H, black.

Version:

Black or silver powder-coated.

With reamed hole.
With reamed hole and keyway.
With reamed hole and transverse bore.
With reamed hole, keyway and transverse bore.

Note:

Wheel rim radial and axial run-out ≤ 0.4 mm.

Assembly:

The hub cover is supplied unassembled.
The handwheels can be secured to a shaft using a transverse pin or by parallel key connection together with a DIN 6912 cap screw and a handwheel washer 07375.
By the versions with transverse bore, fixation is carried out using an ISO 4027 grub screw.

Supplied with:

Aluminium handwheel.
Hub cover.
ISO 4027 grub screw (type with transverse bore).

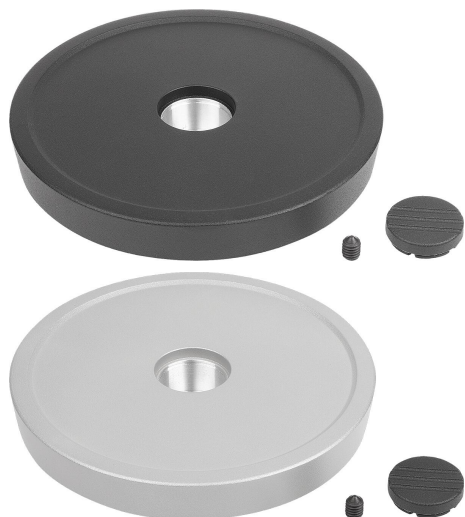
Accessory:

07375 Handwheel washers.
07161 Socket head screws with low head DIN 6912.

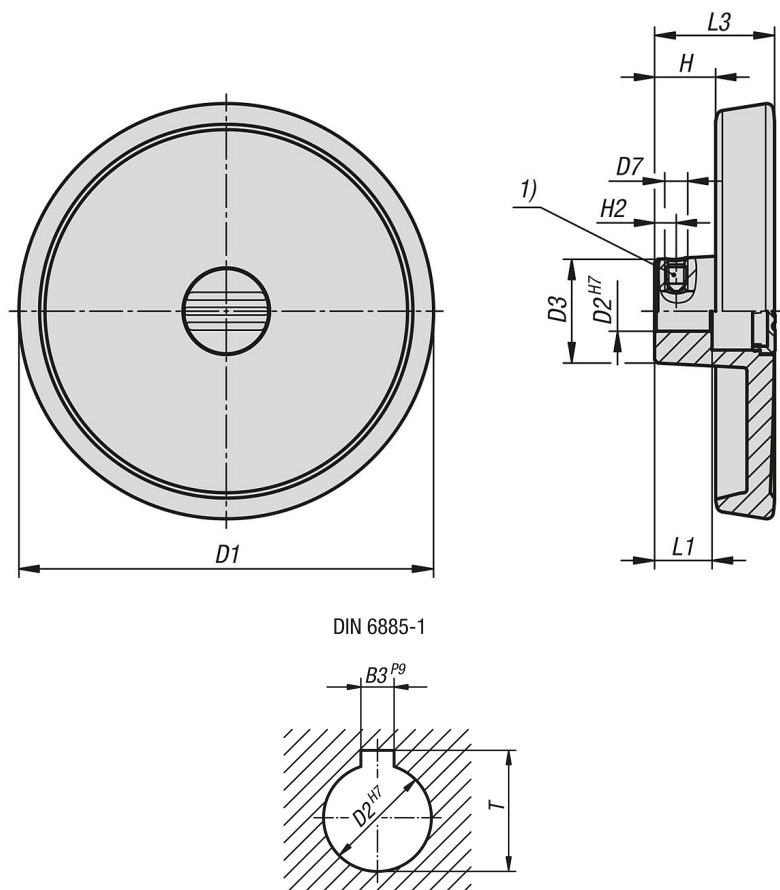
Drawing reference:

1) Position of the transverse bore to the keyway is offset by 90° .

Item description/product images



Drawings



Overview of items

Order No.	Main colour	Form	Form definition	D1	D2	D3	L1	L3	H	H2	D7	B3	T
06278-0801016	black	A	reamed hole with transverse bore	80	10	26	16	29	16,6	5,5	M6	-	-
06278-0801216	black	A	reamed hole with transverse bore	80	12	26	16	29	16,6	6,5	M6	-	-
06278-1001016	black	A	reamed hole with transverse bore	100	10	28	17	33	17,5	5,5	M6	-	-
06278-1001216	black	A	reamed hole with transverse bore	100	12	28	17	33	17,5	6,5	M6	-	-

Overview of items

Order No.	Main colour	Form	Form definition	D1	D2	D3	L1	L3	H	H2	D7	B3	T
06278-1251216	black	A	reamed hole with tranverse bore	125	12	31	18	36	18,3	6,5	M6	-	-
06278-1251416	black	A	reamed hole with tranverse bore	125	14	31	18	36	18,3	6,5	M6	-	-
06278-0801026	silver	A	reamed hole with tranverse bore	80	10	26	16	29	16,6	5,5	M6	-	-
06278-0801226	silver	A	reamed hole with tranverse bore	80	12	26	16	29	16,6	6,5	M6	-	-
06278-1001026	silver	A	reamed hole with tranverse bore	100	10	28	17	33	17,5	5,5	M6	-	-
06278-1001226	silver	A	reamed hole with tranverse bore	100	12	28	17	33	17,5	6,5	M6	-	-
06278-1251226	silver	A	reamed hole with tranverse bore	125	12	31	18	36	18,3	6,5	M6	-	-
06278-1251426	silver	A	reamed hole with tranverse bore	125	14	31	18	36	18,3	6,5	M6	-	-
06278-080101036	black	B	reamed hole with slot, with transverse bore	80	10	26	16	29	16,6	5,5	M6	3	11,4
06278-080121046	black	B	reamed hole with slot, with transverse bore	80	12	26	16	29	16,6	6,5	M6	4	13,8
06278-100101036	black	B	reamed hole with slot, with transverse bore	100	10	28	17	33	17,5	5,5	M6	3	11,4
06278-100121046	black	B	reamed hole with slot, with transverse bore	100	12	28	17	33	17,5	6,5	M6	4	13,8
06278-125121046	black	B	reamed hole with slot, with transverse bore	125	12	31	18	36	18,3	6,5	M6	4	13,8
06278-125141056	black	B	reamed hole with slot, with transverse bore	125	14	31	18	36	18,3	6,5	M6	5	16,3
06278-080102036	silver	B	reamed hole with slot, with transverse bore	80	10	26	16	29	16,6	5,5	M6	3	11,4
06278-080122046	silver	B	reamed hole with slot, with transverse bore	80	12	26	16	29	16,6	6,5	M6	4	13,8
06278-100102036	silver	B	reamed hole with slot, with transverse bore	100	10	28	17	33	17,5	5,5	M6	3	11,4
06278-100122046	silver	B	reamed hole with slot, with transverse bore	100	12	28	17	33	17,5	6,5	M6	4	13,8
06278-125122046	silver	B	reamed hole with slot, with transverse bore	125	12	31	18	36	18,3	6,5	M6	4	13,8
06278-125142056	silver	B	reamed hole with slot, with transverse bore	125	14	31	18	36	18,3	6,5	M6	5	16,3
06278-08010103	black	C	reamed hole with slot	80	10	26	16	29	16,6	-	-	3	11,4
06278-08012104	black	C	reamed hole with slot	80	12	26	16	29	16,6	-	-	4	13,8
06278-10010103	black	C	reamed hole with slot	100	10	28	17	33	17,5	-	-	3	11,4
06278-10012104	black	C	reamed hole with slot	100	12	28	17	33	17,5	-	-	4	13,8
06278-12512104	black	C	reamed hole with slot	125	12	31	18	36	18,3	-	-	4	13,8
06278-12514105	black	C	reamed hole with slot	125	14	31	18	36	18,3	-	-	5	16,3
06278-08010203	silver	C	reamed hole with slot	80	10	26	16	29	16,6	-	-	3	11,4
06278-08012204	silver	C	reamed hole with slot	80	12	26	16	29	16,6	-	-	4	13,8
06278-10010203	silver	C	reamed hole with slot	100	10	28	17	33	17,5	-	-	3	11,4
06278-10012204	silver	C	reamed hole with slot	100	12	28	17	33	17,5	-	-	4	13,8
06278-12512204	silver	C	reamed hole with slot	125	12	31	18	36	18,3	-	-	4	13,8
06278-12514205	silver	C	reamed hole with slot	125	14	31	18	36	18,3	-	-	5	16,3
06278-080101	black	E	with reamed hole	80	10	26	16	29	16,6	-	-	-	-
06278-080121	black	E	with reamed hole	80	12	26	16	29	16,6	-	-	-	-
06278-100101	black	E	with reamed hole	100	10	28	17	33	17,5	-	-	-	-
06278-100121	black	E	with reamed hole	100	12	28	17	33	17,5	-	-	-	-
06278-125121	black	E	with reamed hole	125	12	31	18	36	18,3	-	-	-	-
06278-125141	black	E	with reamed hole	125	14	31	18	36	18,3	-	-	-	-
06278-080102	silver	E	with reamed hole	80	10	26	16	29	16,6	-	-	-	-
06278-080122	silver	E	with reamed hole	80	12	26	16	29	16,6	-	-	-	-
06278-100102	silver	E	with reamed hole	100	10	28	17	33	17,5	-	-	-	-
06278-100122	silver	E	with reamed hole	100	12	28	17	33	17,5	-	-	-	-
06278-125122	silver	E	with reamed hole	125	12	31	18	36	18,3	-	-	-	-
06278-125142	silver	E	with reamed hole	125	14	31	18	36	18,3	-	-	-	-