

Item description/product images

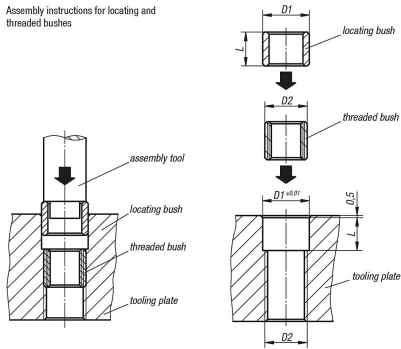


Description

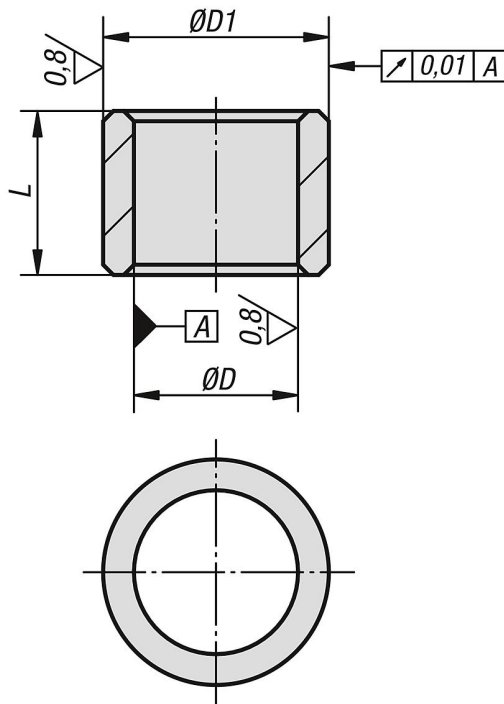
**Material:**  
Special case-hardened steel

**Version:**  
Hardened and ground.

Assembly instructions for locating and threaded bushes



Drawings



Overview of items

Order No.	D	D1	L
03150-10-01508305002	12h6	16 g5	8
03150-10-01012304002	12F7	18 g6	12
03150-10-01016405002	16F7	22 g6	16

