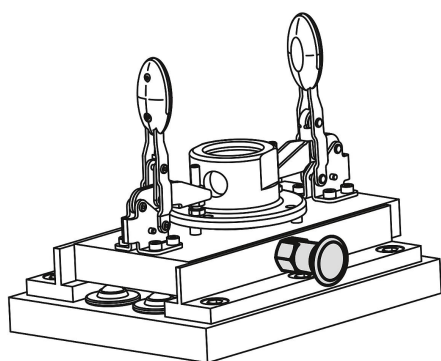


Item description/product images



Description

Material:

Steel version
Indexing pin hardened:
grade 5.8

Stainless steel version
Indexing pin not hardened:
Threaded sleeve 1.4305.
Indexing pin 1.4305.

Mushroom knob black-grey thermoplastic.

Version:

Steel version:
Indexing pin hardened, ground, black oxidised.

Stainless steel version:
Indexing pin not hardened, ground, bright.

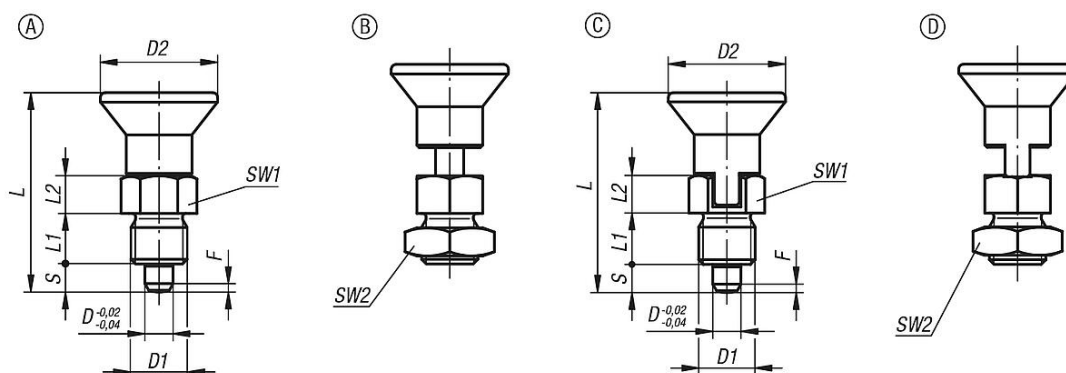
Note:

Indexing plungers are used to prevent any change in position due to lateral forces. A new locking position can only be set after the pin has been manually disengaged. Form C or D is recommended for applications in which the pin is disengaged over extended periods and should be prevented from springing back.

On request:

Special versions.

Drawings



Overview of items

Indexing Plungers short version, pull knob, steel, locking pin hardened, inch

| Order No. | Form | Main material | Surface finish body | Component colour | D | D1 | D2 | L | L1 | L2 | Travel S | SW1 | SW2 | Fx30° | Spring force initial pressure F1 approx. N | Spring force final pressure F2 approx. N |
|---------------|------|-----------------|---------------------|---------------------|----|---------|----|------|----|----|----------|-----|-----|-------|--|--|
| 03089-5004AK | A | steel | hardened | black grey RAL 7021 | 4 | 5/16-24 | 18 | 29,5 | 6 | 6 | 4 | 10 | - | 1 | 6 | 12 |
| 03089-5105AL | A | steel | hardened | black grey RAL 7021 | 5 | 3/8-24 | 21 | 34,5 | 8 | 7 | 5 | 13 | - | 1,3 | 5 | 12 |
| 03089-5206A5 | A | steel | hardened | black grey RAL 7021 | 6 | 1/2-13 | 25 | 41,7 | 10 | 8 | 6 | 14 | - | 1,8 | 6 | 14 |
| 03089-5308A6 | A | steel | hardened | black grey RAL 7021 | 8 | 5/8-11 | 33 | 54 | 12 | 10 | 8 | 19 | - | 2,3 | 14 | 28 |
| 03089-5410A7 | A | steel | hardened | black grey RAL 7021 | 10 | 3/4-10 | 33 | 61 | 15 | 12 | 10 | 22 | - | 2,8 | 15 | 32 |
| 03089-15004AK | A | stainless steel | not hardened | black grey RAL 7021 | 4 | 5/16-24 | 18 | 29,5 | 6 | 6 | 4 | 10 | - | 1 | 6 | 12 |

Overview of items

| Order No. | Form | Main material | Surface finish body | Component colour | D | D1 | D2 | L | L1 | L2 | Travel S | SW1 | SW2 | Fx30° | Spring force initial pressure F1 approx. N | Spring force final pressure F2 approx. N |
|---------------|------|-----------------|---------------------|---------------------|----|---------|----|------|----|----|----------|-----|-------|-------|--|--|
| 03089-15105AL | A | stainless steel | not hardened | black grey RAL 7021 | 5 | 3/8-24 | 21 | 34,5 | 8 | 7 | 5 | 13 | - | 1,3 | 5 | 12 |
| 03089-15206A5 | A | stainless steel | not hardened | black grey RAL 7021 | 6 | 1/2-13 | 25 | 41,7 | 10 | 8 | 6 | 14 | - | 1,8 | 6 | 14 |
| 03089-15308A6 | A | stainless steel | not hardened | black grey RAL 7021 | 8 | 5/8-11 | 33 | 54 | 12 | 10 | 8 | 19 | - | 2,3 | 14 | 28 |
| 03089-15410A7 | A | stainless steel | not hardened | black grey RAL 7021 | 10 | 3/4-10 | 33 | 61 | 15 | 12 | 10 | 22 | - | 2,8 | 15 | 32 |
| 03089-6004AK | B | steel | hardened | black grey RAL 7021 | 4 | 5/16-24 | 18 | 29,5 | 6 | 6 | 4 | 10 | 1/2 | 1 | 6 | 12 |
| 03089-6105AL | B | steel | hardened | black grey RAL 7021 | 5 | 3/8-24 | 21 | 34,5 | 8 | 7 | 5 | 13 | 9/16 | 1,3 | 5 | 12 |
| 03089-6206A5 | B | steel | hardened | black grey RAL 7021 | 6 | 1/2-13 | 25 | 41,7 | 10 | 8 | 6 | 14 | 3/4 | 1,8 | 6 | 14 |
| 03089-6308A6 | B | steel | hardened | black grey RAL 7021 | 8 | 5/8-11 | 33 | 54 | 12 | 10 | 8 | 19 | 15/16 | 2,3 | 14 | 28 |
| 03089-6410A7 | B | steel | hardened | black grey RAL 7021 | 10 | 3/4-10 | 33 | 61 | 15 | 12 | 10 | 22 | 1-1/8 | 2,8 | 15 | 32 |
| 03089-16004AK | B | stainless steel | not hardened | black grey RAL 7021 | 4 | 5/16-24 | 18 | 29,5 | 6 | 6 | 4 | 10 | 1/2 | 1 | 6 | 12 |
| 03089-16105AL | B | stainless steel | not hardened | black grey RAL 7021 | 5 | 3/8-24 | 21 | 34,5 | 8 | 7 | 5 | 13 | 9/16 | 1,3 | 5 | 12 |
| 03089-16206A5 | B | stainless steel | not hardened | black grey RAL 7021 | 6 | 1/2-13 | 25 | 41,7 | 10 | 8 | 6 | 14 | 3/4 | 1,8 | 6 | 14 |
| 03089-16308A6 | B | stainless steel | not hardened | black grey RAL 7021 | 8 | 5/8-11 | 33 | 54 | 12 | 10 | 8 | 19 | 15/16 | 2,3 | 14 | 28 |
| 03089-16410A7 | B | stainless steel | not hardened | black grey RAL 7021 | 10 | 3/4-10 | 33 | 61 | 15 | 12 | 10 | 22 | 1-1/8 | 2,8 | 15 | 32 |
| 03089-7004AK | C | steel | hardened | black grey RAL 7021 | 4 | 5/16-24 | 18 | 29,5 | 6 | 6 | 4 | 10 | - | 1 | 6 | 12 |
| 03089-7105AL | C | steel | hardened | black grey RAL 7021 | 5 | 3/8-24 | 21 | 34,5 | 8 | 7 | 5 | 13 | - | 1,3 | 5 | 12 |
| 03089-7206A5 | C | steel | hardened | black grey RAL 7021 | 6 | 1/2-13 | 25 | 41,7 | 10 | 8 | 6 | 14 | - | 1,8 | 6 | 14 |
| 03089-7308A6 | C | steel | hardened | black grey RAL 7021 | 8 | 5/8-11 | 33 | 54 | 12 | 10 | 8 | 19 | - | 2,3 | 14 | 28 |
| 03089-7410A7 | C | steel | hardened | black grey RAL 7021 | 10 | 3/4-10 | 33 | 61 | 15 | 12 | 10 | 22 | - | 2,8 | 15 | 32 |
| 03089-17004AK | C | stainless steel | not hardened | black grey RAL 7021 | 4 | 5/16-24 | 18 | 29,5 | 6 | 6 | 4 | 10 | - | 1 | 6 | 12 |
| 03089-17105AL | C | stainless steel | not hardened | black grey RAL 7021 | 5 | 3/8-24 | 21 | 34,5 | 8 | 7 | 5 | 13 | - | 1,3 | 5 | 12 |
| 03089-17206A5 | C | stainless steel | not hardened | black grey RAL 7021 | 6 | 1/2-13 | 25 | 41,7 | 10 | 8 | 6 | 14 | - | 1,8 | 6 | 14 |
| 03089-17308A6 | C | stainless steel | not hardened | black grey RAL 7021 | 8 | 5/8-11 | 33 | 54 | 12 | 10 | 8 | 19 | - | 2,3 | 14 | 28 |
| 03089-17410A7 | C | stainless steel | not hardened | black grey RAL 7021 | 10 | 3/4-10 | 33 | 61 | 15 | 12 | 10 | 22 | - | 2,8 | 15 | 32 |
| 03089-8004AK | D | steel | hardened | black grey RAL 7021 | 4 | 5/16-24 | 18 | 29,5 | 6 | 6 | 4 | 10 | 1/2 | 1 | 6 | 12 |
| 03089-8105AL | D | steel | hardened | black grey RAL 7021 | 5 | 3/8-24 | 21 | 34,5 | 8 | 7 | 5 | 13 | 9/16 | 1,3 | 5 | 12 |
| 03089-8206A5 | D | steel | hardened | black grey RAL 7021 | 6 | 1/2-13 | 25 | 41,7 | 10 | 8 | 6 | 14 | 3/4 | 1,8 | 6 | 14 |
| 03089-8308A6 | D | steel | hardened | black grey RAL 7021 | 8 | 5/8-11 | 33 | 54 | 12 | 10 | 8 | 19 | 15/16 | 2,3 | 14 | 28 |
| 03089-8410A7 | D | steel | hardened | black grey RAL 7021 | 10 | 3/4-10 | 33 | 61 | 15 | 12 | 10 | 22 | 1-1/8 | 2,8 | 15 | 32 |
| 03089-18004AK | D | stainless steel | not hardened | black grey RAL 7021 | 4 | 5/16-24 | 18 | 29,5 | 6 | 6 | 4 | 10 | 1/2 | 1 | 6 | 12 |
| 03089-18105AL | D | stainless steel | not hardened | black grey RAL 7021 | 5 | 3/8-24 | 21 | 34,5 | 8 | 7 | 5 | 13 | 9/16 | 1,3 | 5 | 12 |
| 03089-18206A5 | D | stainless steel | not hardened | black grey RAL 7021 | 6 | 1/2-13 | 25 | 41,7 | 10 | 8 | 6 | 14 | 3/4 | 1,8 | 6 | 14 |
| 03089-18308A6 | D | stainless steel | not hardened | black grey RAL 7021 | 8 | 5/8-11 | 33 | 54 | 12 | 10 | 8 | 19 | 15/16 | 2,3 | 14 | 28 |
| 03089-18410A7 | D | stainless steel | not hardened | black grey RAL 7021 | 10 | 3/4-10 | 33 | 61 | 15 | 12 | 10 | 22 | 1-1/8 | 2,8 | 15 | 32 |