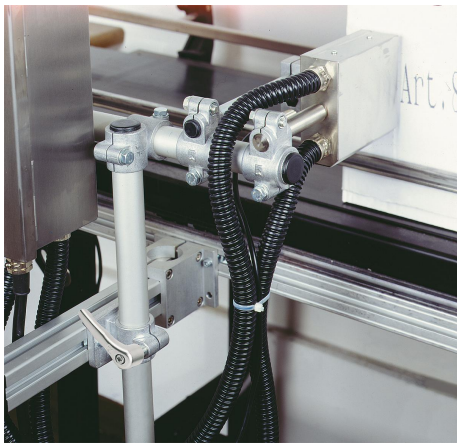
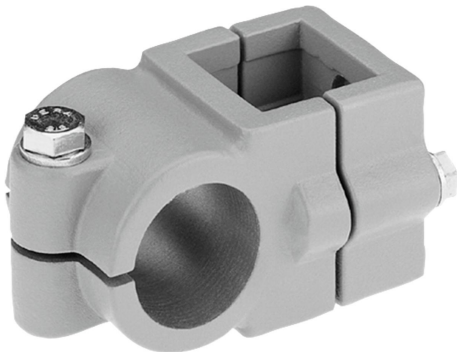


Item description/product images

INCH
Parts

Description

Material:

Cast aluminium.
Screws and nuts steel.

Version:

Vibratory ground.
Screws and nuts electro zinc-plated.

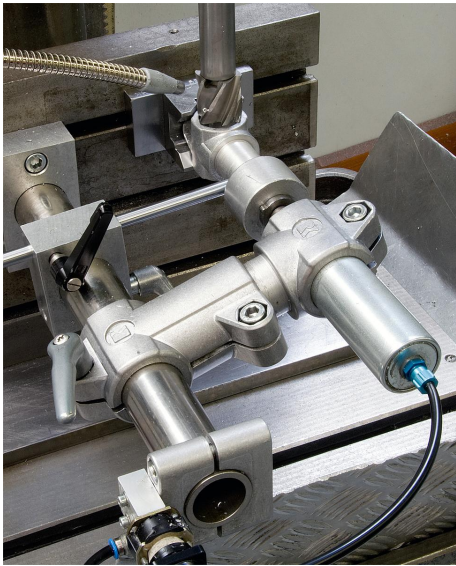
Note:

The dimensions for A and B are in inches, all other dimensions are in mm.

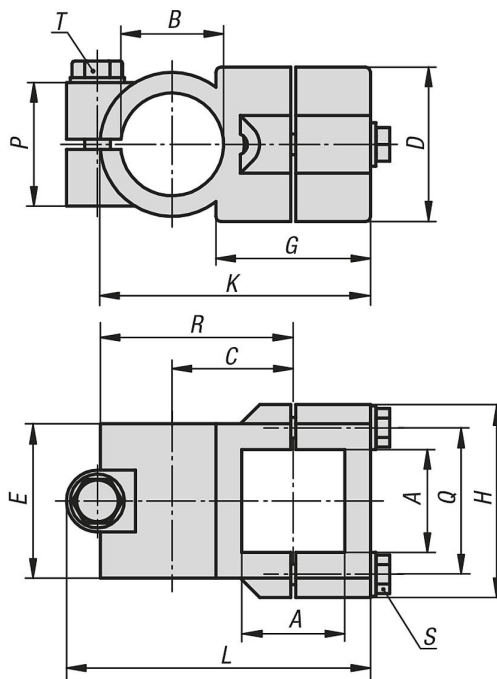
On request:

Clamping levers for tightening.

Item description/product images



Drawings



Overview of items

Order No.	A	B	C	D	E	G	H	K	L	P	Q	R	S	T
29004-5CSCS	1	1	33	45	45	40	62	76	86	33	46	55	M8x35	M8x35

