

Item description/product images



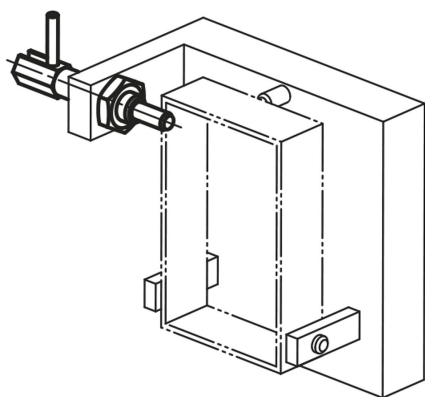
Description

Material:
Steel grade 5.8.

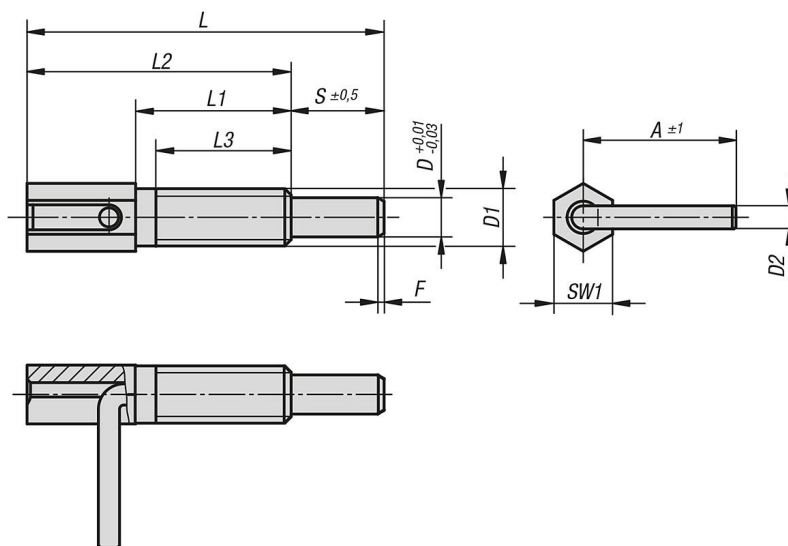
Version:
Trivalent blue passivated.

Note:
Indexing plungers are used to prevent any change in locking position due to lateral forces. A new locking position can only be set after the pin has been manually disengaged.

On request:
Special versions.



Drawings



Overview of items

Order No.	A	D	D1	D2	L	L1	L2	L3	Travel S	SW1	Fx30°	Spring force initial pressure F1 approx. N	Spring force final pressure F2 approx. N	Tightening torque max. Nm
03091-11CWA2	16	4	1/4-20	2,3	41,5	20	32	16	9,5	-	0,7	3	10	1,6
03091-12CMA4	23,5	6,35	3/8-16	3,5	65,1	33,3	50,8	27	14,3	-	1,1	4	16	10

Overview of items

Order No.	A	D	D1	D2	L	L1	L2	L3	Travel S	SW1	Fx30°	Spring force initial pressure F1 approx. N	Spring force final pressure F2 approx. N	Tightening torque max. Nm
03091-13CNA5	31	7,93	1/2-13	4,7	73	31,8	54	28,6	19	1/2	1,3	4	22	13
03091-14COA6	33	9,53	5/8-11	4,7	102,9	50,5	77,5	44,5	25,4	5/8	1,6	4	23	42