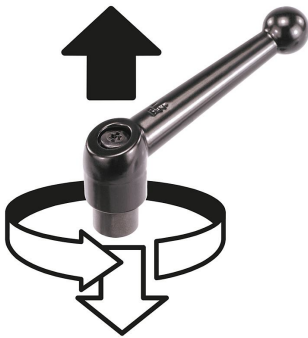


Item description/product images

INCH
Parts



lift to
disengage



Description

Material:

Handle die-cast zinc DIN EN 12844.
Steel parts grade 5.8.

Version:

Handle powder-coated.
Steel parts black oxidised.

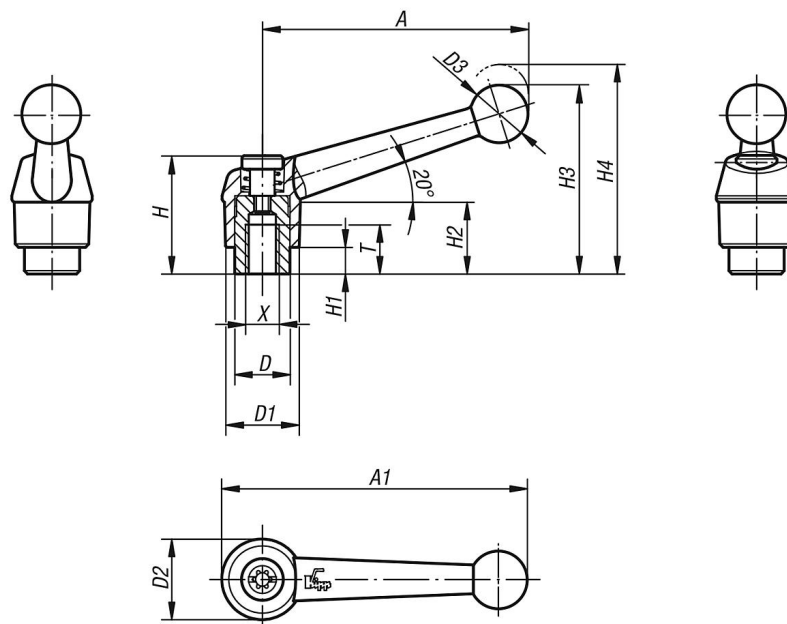
Note:

Standard colours are:
black satin finish, silver metallic.

On request:

Other threads, colours and special versions.
Dimension "H1" available in other lengths at extra charge.

Drawings



Overview of items

Order No. black	Order No. silver metallic	X	A	A1	T	D	D1	D2	D3	H	H1	H2	H3	H4	No. of teeth
06410-1AE1	06410-1AE3	8-32	39	46	9	10	13	14	10,5	24,5	4	15	32,5	35,5	16
06410-1A01	06410-1A03	10-24	39	46	9	10	13	14	10,5	24,5	4	15	32,5	35,5	16
06410-1A11	06410-1A13	10-32	39	46	9	10	13	14	10,5	24,5	4	15	32,5	35,5	16
06410-1A21	06410-1A23	1/4-20	39	46	9	10	13	14	10,5	24,5	4	15	32,5	35,5	16
06410-2A21	06410-2A23	1/4-20	64	73	12	13,5	18	18,5	15,5	28,5	6,5	16,5	45,5	49,5	20
06410-2A31	06410-2A33	5/16-18	64	73	12	13,5	18	18,5	15,5	28,5	6,5	16,5	45,5	49,5	20
06410-3A31	06410-3A33	5/16-18	79	90	14	16	21	22	17	37	10	23	57,5	61,5	22
06410-3A41	06410-3A43	3/8-16	79	90	14	16	21	22	17	37	10	23	57,5	61,5	22
06410-4A41	06410-4A43	3/8-16	95	108	17	19	25	26	19	42,5	10	26	67	72	24
06410-4A51	06410-4A53	1/2-13	95	108	17	19	25	26	19	42,5	10	26	67	72	24
06410-5A51	06410-5A53	1/2-13	110	126	23	23	30	31	22	49	12	32	79	84	26
06410-5A61	06410-5A63	5/8-11	110	126	23	23	30	31	22	49	12	32	79	84	26