

Item description/product images



Description

Material:

Stainless steel 1.4301.

Version:

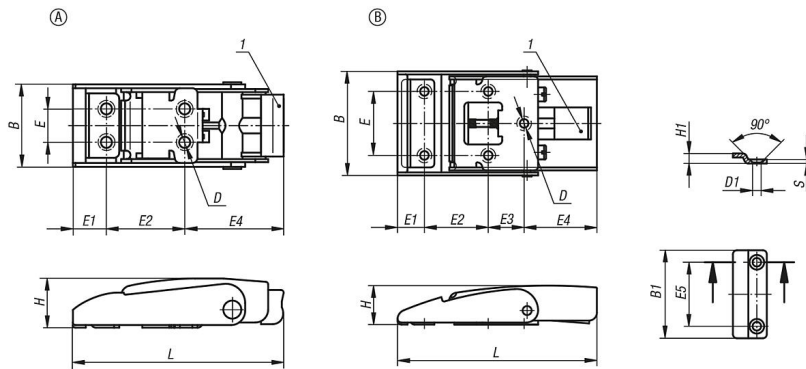
Bright.

The latch surface is satin finished.

Drawing reference:

1) Release

Drawings



Overview of items

Order No.	Form	L	E	E1	E2	E3	E4	B	H	D	B1	E5	H1	D1	S
05547-05-43100	B	100	32	13,5	32	18	36,5	53	19,5	4,3	44	32	5	4,3	2
05547-05-43082	A	82	13	13,5	30	-	38,5	33,6	19,5	4,3	25	13	5	4,3	2