

Item description/product images



Description

Material:

Steel.

Version:

Grade 10.

Plastic-coated, red.

Note:

The shortening hook is for incorporating into single or multiple strand chains and is used to shorten the chain.

Shortening hooks are permissible for lifting, but not for lashing since they do not have a latch to prevent unintentional unhooking.

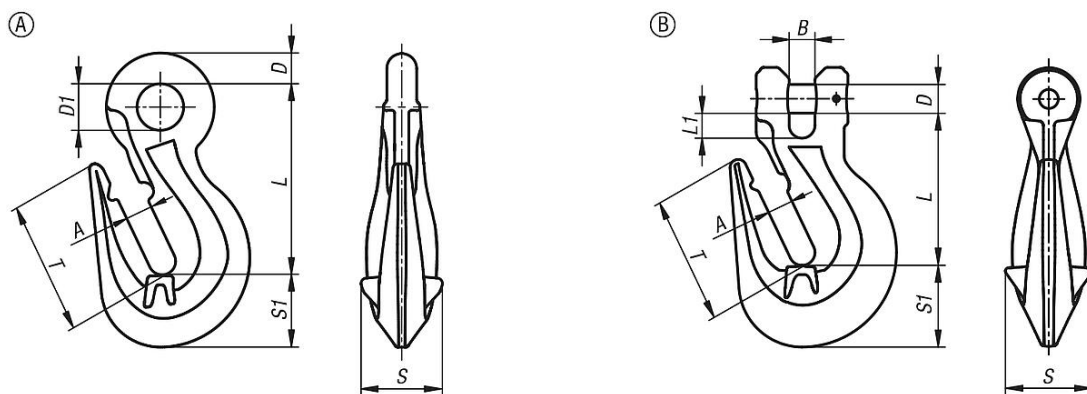
The shortening hooks correspond to the Machinery Directive and are BG certified (H stamp).

Temperature range:From -40°C to 200°C = 100% permissible loadUp to 300°C = 90% permissible loadUp to 400°C = 75% permissible load**Drawing reference:**

Form A: eye hook.

Form B: clevis hook.

Drawings



Overview of items