

Item description/product images



Description

Material:

Steel.

Version:

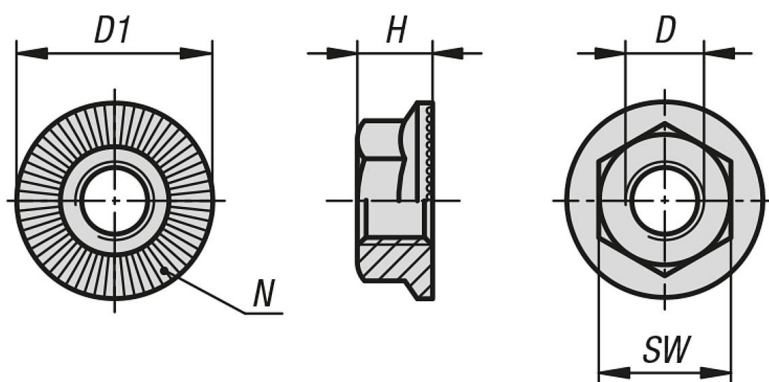
Bright (black) or electro zinc-plated.

Surface hardened to min. 550 HV.

Note:

The serrations bite into the contact face resulting in a positive locking connection that prevents self-loosening. Can be re-used several times.

Drawings



Overview of items

Order No.	Grade	Surface finish body	D	D1	H	SW	N (number)
07216-405	10	bright (black)	M5	11,2	4,3	8	28
07216-406	10	bright (black)	M6	14,2	5,5	10	36
07216-408	10	bright (black)	M8	18,2	7	13	48
07216-410	10	bright (black)	M10	21	8,5	15	48
07216-412	10	bright (black)	M12	24	10	17	60
07216-416	10	bright (black)	M16	31	14	24	72
07216-305	10	galvanised	M5	11,2	4,3	8	28
07216-306	10	galvanised	M6	14,2	5,5	10	36
07216-308	10	galvanised	M8	18,2	7	13	48
07216-310	10	galvanised	M10	21	8,5	15	48
07216-312	10	galvanised	M12	24	10	17	60
07216-316	10	galvanised	M16	31	14	24	72