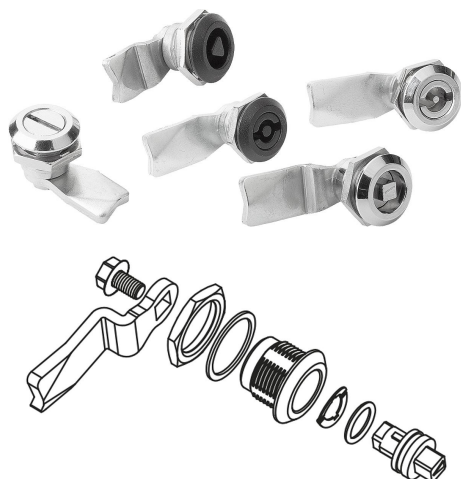


## Item description/product images

**Description****Material:**

Housing, actuator and nut die-cast zinc.

O-ring NBR, flat seal PUR.

Tongue steel.

**Version:**

Housing and actuator, trivalent passivated or black powder-coated.

Nut and tongue, electro zinc-plated.

**Note:**

Quarter-turn lock is vibration-resistant through a detent mechanism in the end position. Right or left mounting with 90° closing and internal rotation limit. The quarter-turn lock can be installed pre-assembled (limitations by small A-dimensions and thick doors). Tested according to DIN EN 60068-2-64 (vibration) and DIN EN 60068-2-27 (shock), test standard 61373. Vibration-proof as per rail applications category 1, class B (highest requirement). The fastening nut has claws allowing it to be used as an earthing nut.

Water and dust proof as per IP65 through O-ring and foamed-on PUR seal.

Order the required tongue version separately. Every tongue can be combined with every housing.

**Accessory:**

Key 05586.

Tongue for steel quarter-turn lock without stop 05570

**Drawing reference:**

Actuation:

a) square 7 mm

b) square 8 mm

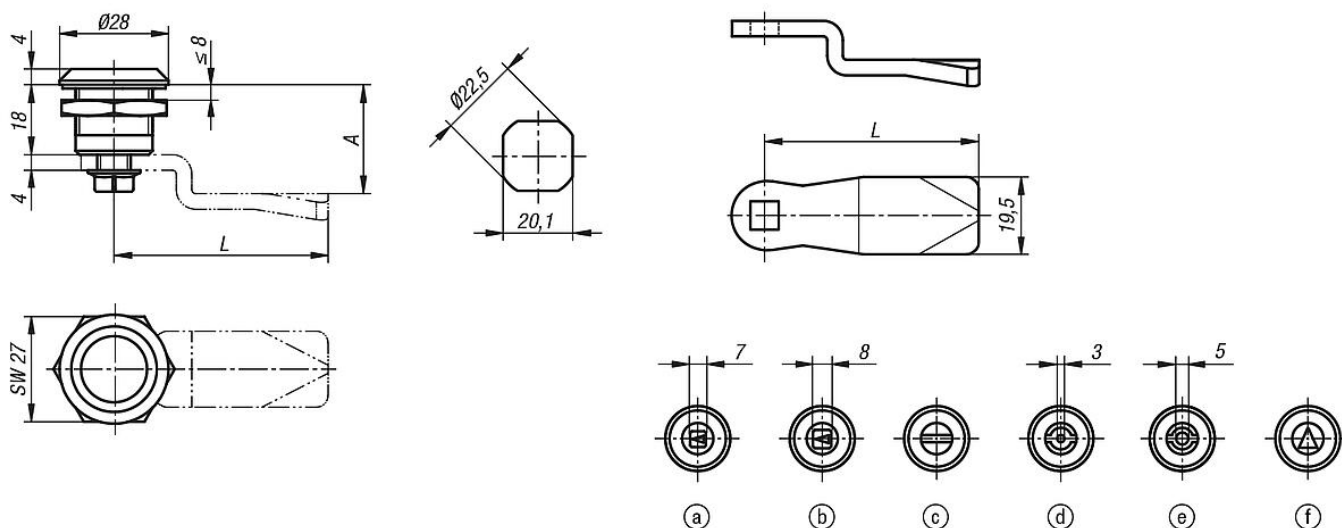
c) slot

d) double lug 3 mm

e) double lug 5 mm

f) triangle 8 mm

Drawings



Overview of items

Quarter-turn lock

Order No.	Main colour	Main material	Surface finish body	Actuation
05566-17181	-	zinc	chromed	square 7 mm
05566-18181	-	zinc	chromed	square 8 mm
05566-20181	-	zinc	chromed	slot
05566-43181	-	zinc	chromed	double lug 3 mm
05566-45181	-	zinc	chromed	double lug 5 mm
05566-88181	-	zinc	chromed	triangle 8 mm
05566-17182	black	zinc	powder-coated	square 7 mm
05566-18182	black	zinc	powder-coated	square 8 mm
05566-20182	black	zinc	powder-coated	slot
05566-43182	black	zinc	powder-coated	double lug 3 mm
05566-45182	black	zinc	powder-coated	double lug 5 mm
05566-88182	black	zinc	powder-coated	triangle 8 mm