

## Item description/product images

**Description****Material:**

Housing and actuator die-cast zinc.

Nut brass.

O-ring NBR, flat seal CR.

Tongue steel.

**Version:**

Housing trivalent passivated.

Actuator black powder-coated.

Nut and tongue electro zinc-plated.

**Note:**

This quarter-turn lock is vibration-resistant through a detent mechanism in the end position. Right or left mounting with 90° closing and internal rotation limit. The quarter-turn lock can be installed pre-assembled (limitations by small A-dimensions and thick doors).

Water and dust proof as per IP65 through O-ring and flat seal.

The lockable quarter-turn locks are supplied with 2 keys. The key can be removed in both positions (opened and closed). The cylinder locks have a single key system i.e. the same key works in all locks (cylinder lock 2233).

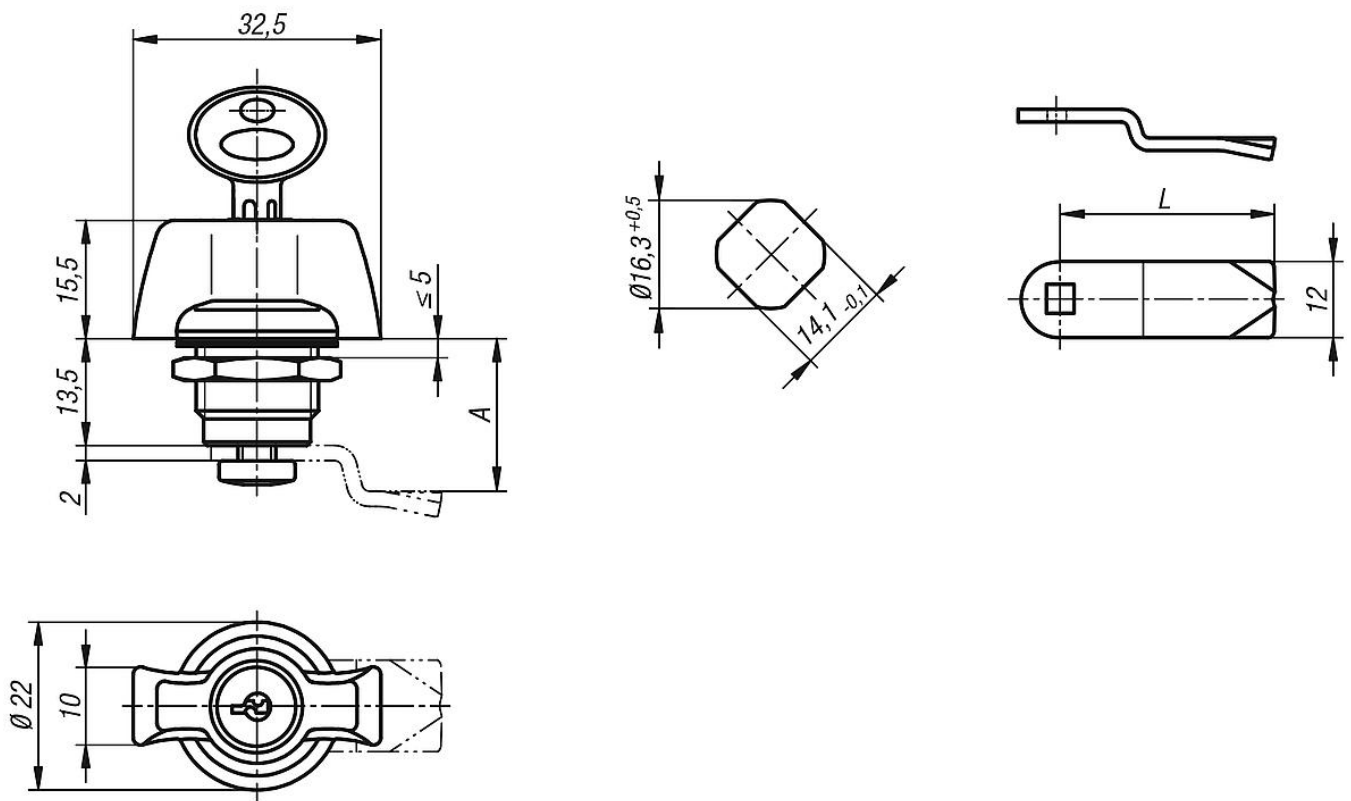
Order the required tongue version separately. Every tongue can be combined with every housing.

**Accessory:**

Key 05586.

Tongue for steel compact quarter-turn lock 05563.

Drawings



Overview of items

Quarter-turn locks compact with wing grip

Order No.	Actuation
05562-30132	wing grip
05562-31132	lockable grip

Tongue for quarter-turn lock

Order No.	A	L
05563-0124X075	7,5	24
05563-0124X135	13,5	24
05563-0124X195	19,5	24