

Item description/product images

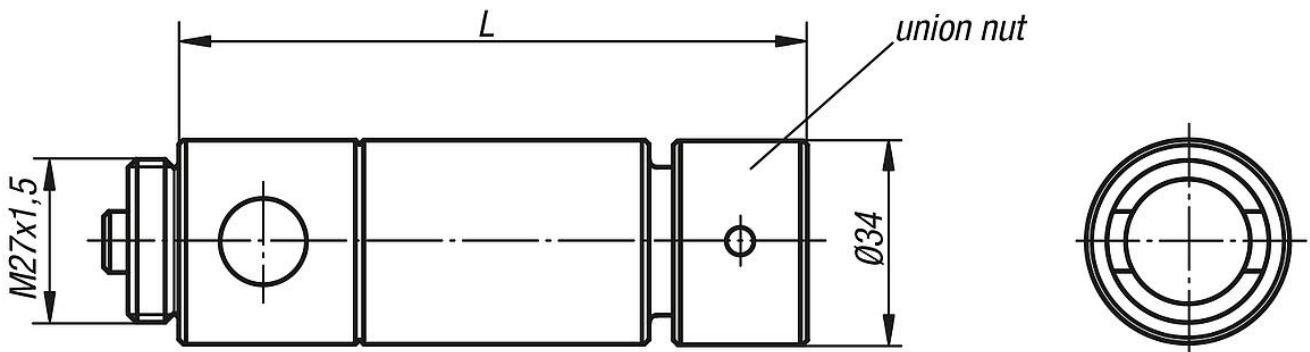


Description

Material:
Carbon steel.

Version:
Black oxidised.

Drawings



Overview of items

Order No.	L	Clamp range
41065-060	60	22-82
41065-120	120	82-142
41065-240	240	extension by 240 mm
41065-480	480	extension by 480 mm