

Item description/product images

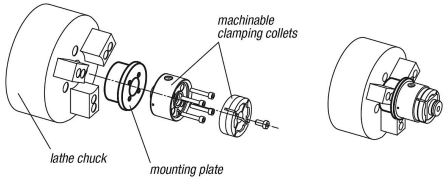


Description

Material:
Carbon steel 1.7262.

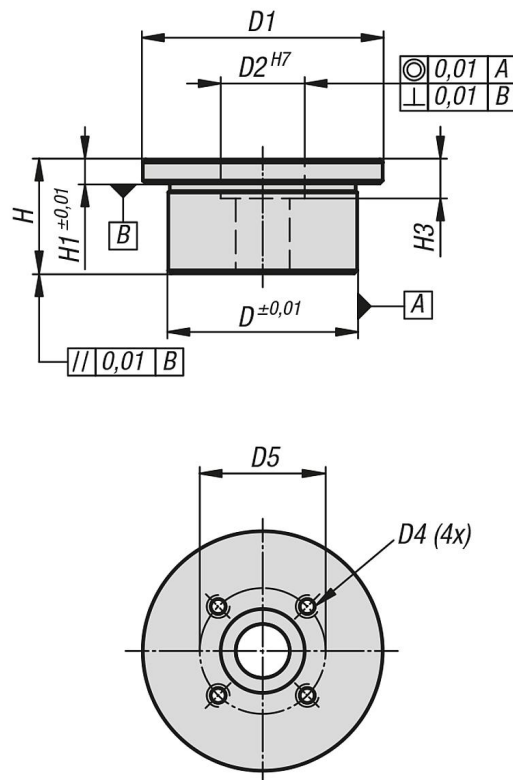
Version:
Black oxidised and case-hardened.

Note:
Suitable for clamping collets
03166-065057 and 03166-090072.



Mounting plate for holding the collet in a lathe chuck

Drawings



Overview of items

Order No.	D	D1	D2	D4	D5	H	H1	H3
03166-065038	63	80	28	M6x12	42	38	8	13
03166-090043	80	100	42	M8x16	60	43	8	15

