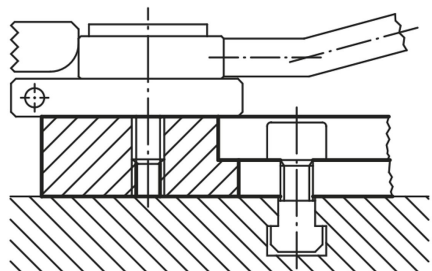


Item description/product images



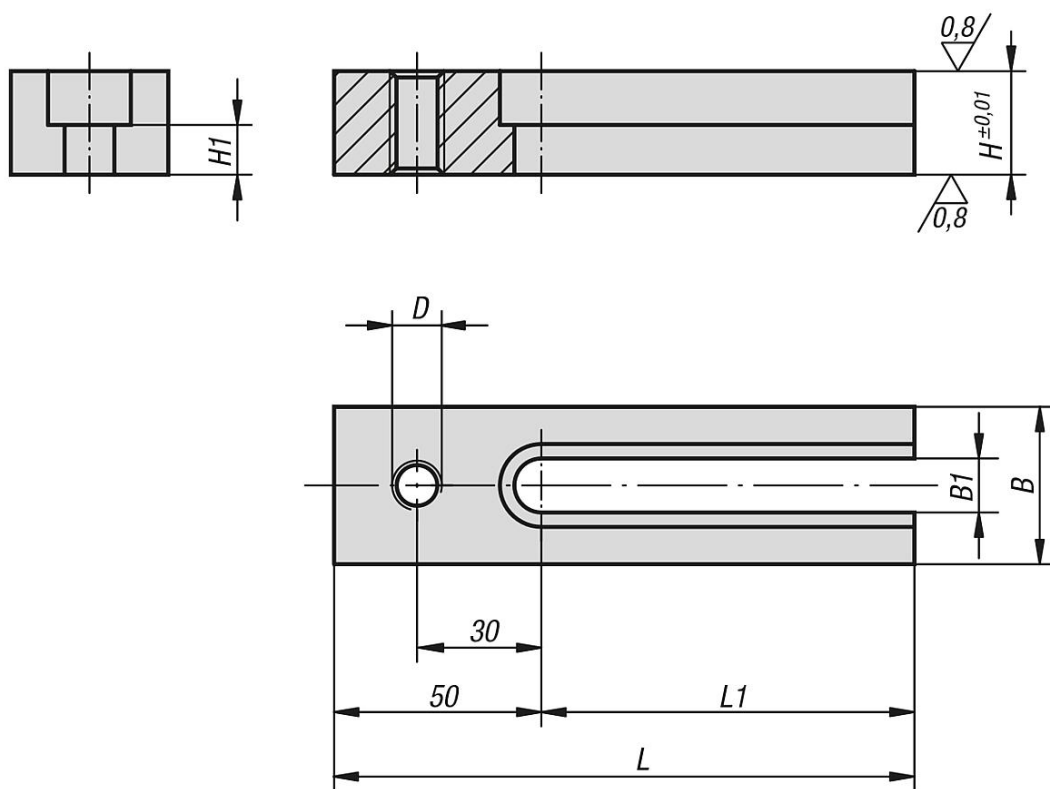
Description

Material:
Carbon steel.

Version:
Tempered, black oxidised.
Contact faces ground.

Note:
The tapped hole is for mounting fixture components.
The slot allows the riser to be set in any desired position.

Drawings



Overview of items

Order No.	D	L	L1	B	B1	H	H1
04512-12025	M12	90	40	38	13	25	12
04512-12032	M12	90	40	38	13	32	19
04512-12040	M12	90	40	38	13	40	27
04512-12050	M12	90	40	38	13	50	37
04512-12125	M12	140	90	38	13	25	12
04512-12132	M12	140	90	38	13	32	19
04512-12140	M12	140	90	38	13	40	27

Overview of items

Order No.	D	L	L1	B	B1	H	H1
04512-12150	M12	140	90	38	13	50	37
04512-16032	M16	90	40	50	17	32	15
04512-16040	M16	90	40	50	17	40	23
04512-16050	M16	90	40	50	17	50	33
04512-16132	M16	140	90	50	17	32	15
04512-16140	M16	140	90	50	17	40	23
04512-16150	M16	140	90	50	17	50	33