

Item description/product images

**Description****Material:**

Carbon steel.

Version:

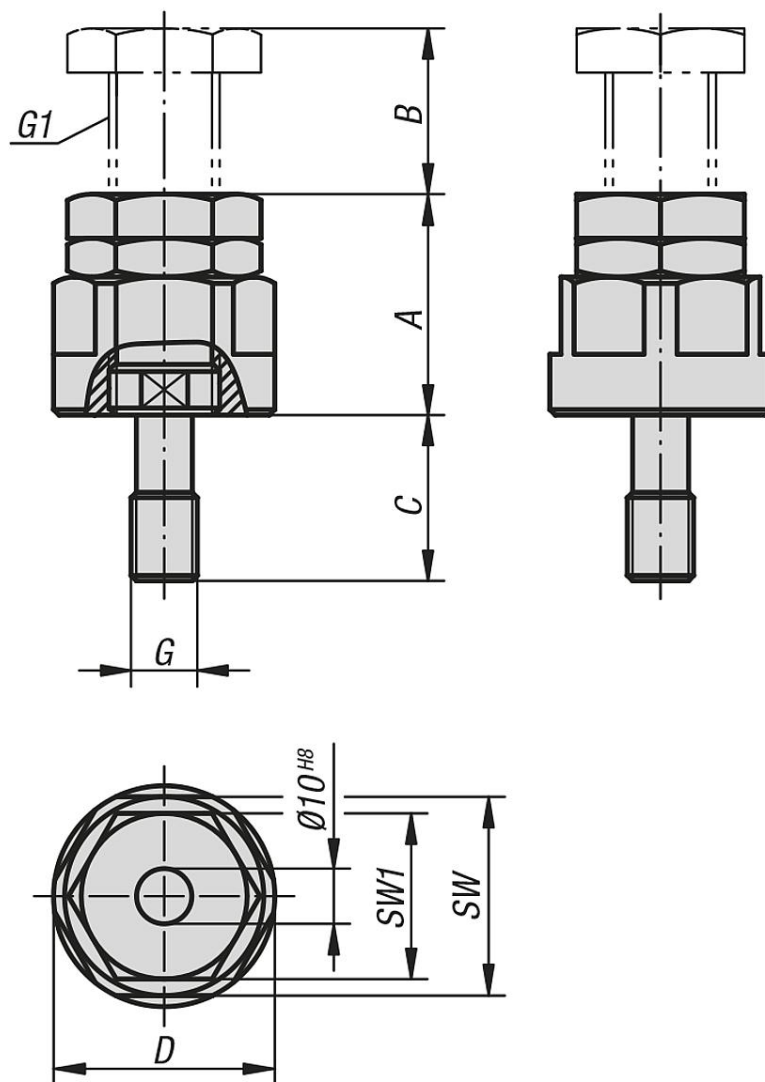
Black oxidised.

Adjustment spindle tempered.

Note:

Use the inserts 02387 to adapt the contact face to requirements.

Drawings



Overview of items

Order No.	A min.	B max.	C	D	SW	SW1	G	G1
02385-12040	40	10	30	40	36	30	M12	M20x1,5
02385-12050	50	20	30	40	36	30	M12	M20x1,5
02385-12070	70	40	30	40	36	30	M12	M20x1,5
02385-12100	100	50	30	50	46	36	M12	M24x2
02385-12150	150	100	30	50	46	36	M12	M24x2
02385-16040	40	10	30	40	36	30	M16	M20x1,5
02385-16050	50	20	30	40	36	30	M16	M20x1,5
02385-16070	70	40	30	40	36	30	M16	M20x1,5
02385-16100	100	50	30	50	46	36	M16	M24x2
02385-16150	150	100	30	50	46	36	M16	M24x2