

Item description/product images



Description

Material:

Body high carbon steel.

Version:

Body tempered and black oxidised.

Note:

Rest pads are for supporting machined and non-machined parts. They can also be used as stops and thrust pads in fixtures and toolmaking.

Studs or grub screws can be screwed and glued into the tapped hole D to make a rest pad with external thread.

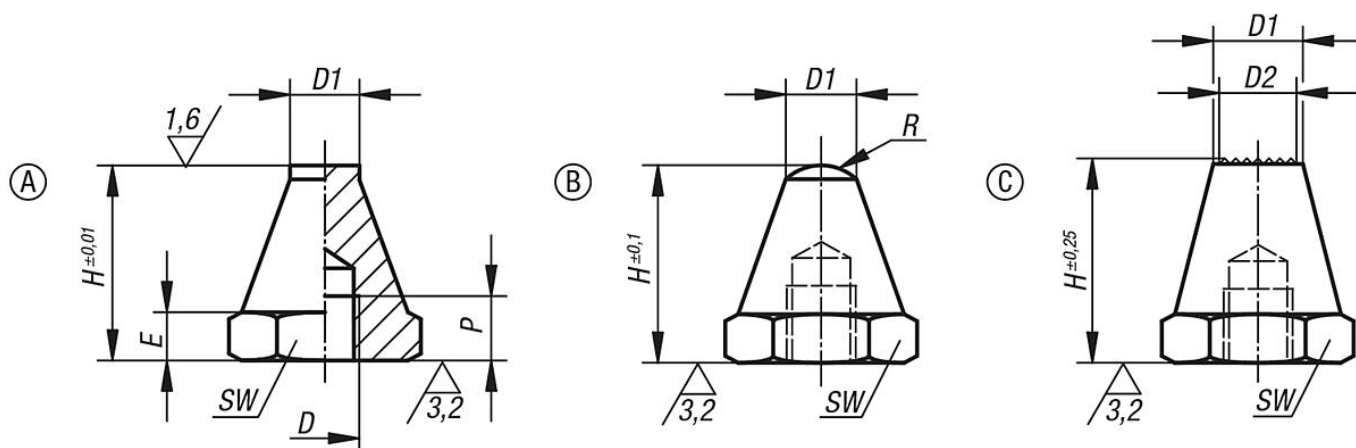
Drawing reference:

Form A: flat face

Form B: ball end

Form C: diamond grip

Drawings



Overview of items

Order No.	Form	D	D1	D2	E	H	P	R	SW
02028-106012	A	M6	6	-	3	12,5	4	-	11
02028-106025	A	M6	6	-	3	25	7	-	11
02028-108015	A	M8	8	-	4	15	6	-	13
02028-108030	A	M8	8	-	4	30	9	-	13
02028-110020	A	M10	10	-	5	20	9	-	17
02028-110040	A	M10	10	-	5	40	13	-	17
02028-112025	A	M12	12	-	6	25	11	-	19
02028-112050	A	M12	12	-	6	50	16	-	19
02028-116030	A	M16	16	-	8	30	12	-	24
02028-116060	A	M16	16	-	8	60	20	-	24
02028-206012	B	M6	6	-	3	12,5	4	5	11
02028-206025	B	M6	6	-	3	25	7	5	11
02028-208015	B	M8	8	-	4	15	6	8,5	13
02028-208030	B	M8	8	-	4	30	9	8,5	13
02028-210020	B	M10	10	-	5	20	9	9	17
02028-210040	B	M10	10	-	5	40	13	9	17
02028-212025	B	M12	12	-	6	25	11	12,75	19
02028-212050	B	M12	12	-	6	50	16	12,75	19
02028-216030	B	M16	16	-	8	30	12	17	24

Overview of items

Order No.	Form	D	D1	D2	E	H	P	R	SW
02028-216060	B	M16	16	-	8	60	20	17	24
02028-306012	C	M6	6	5	3	12,5	4	-	11
02028-306025	C	M6	6	5	3	25	7	-	11
02028-308015	C	M8	8	6	4	15	6	-	13
02028-308030	C	M8	8	6	4	30	9	-	13
02028-310020	C	M10	10	8	5	20	9	-	17
02028-310040	C	M10	10	8	5	40	13	-	17
02028-312025	C	M12	12	9,5	6	25	11	-	19
02028-312050	C	M12	12	9,5	6	50	16	-	19
02028-316030	C	M16	16	13	8	30	12	-	24
02028-316060	C	M16	16	13	8	60	20	-	24