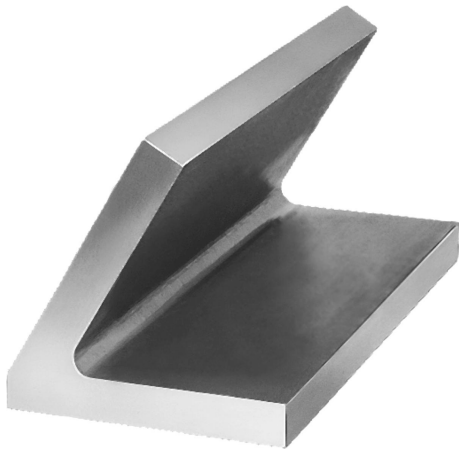


Item description/product images

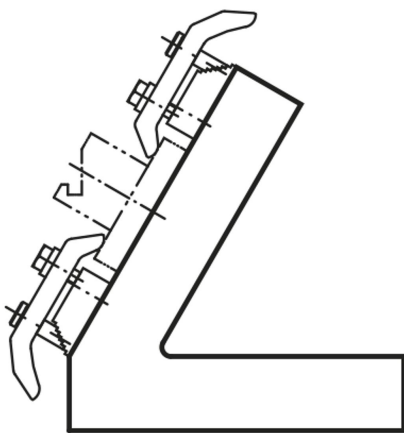


Description

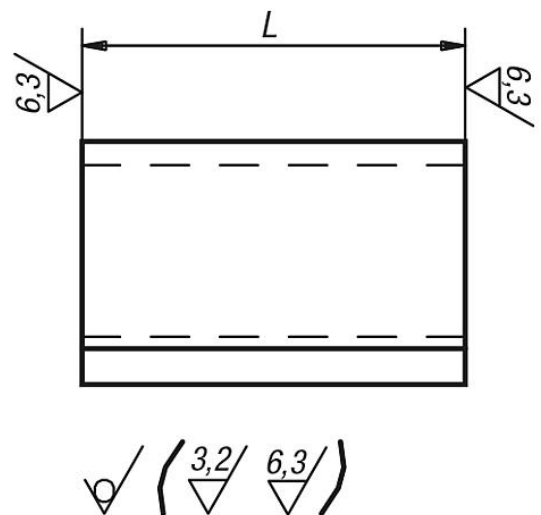
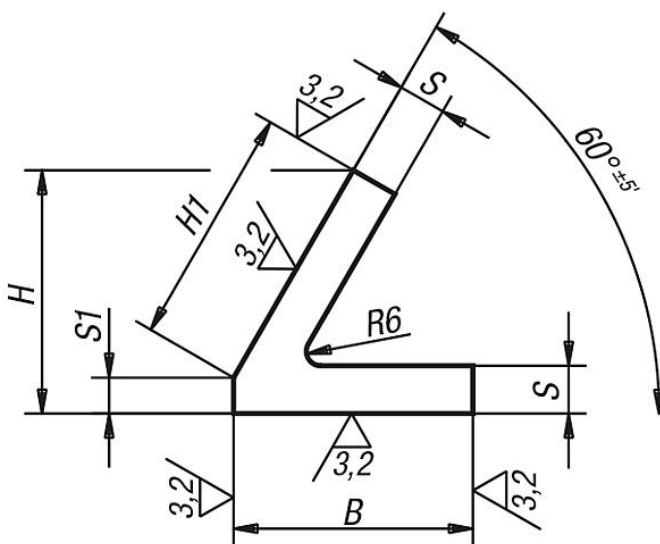
Material:
GJL 250 annealed.

Note:
The length L is cut by saw and is always supplied overlong.

Drawing reference:
machined faces: ± 0.25 mm
unmachined faces: ± 2 mm
length tolerance:
 ≤ 200 mm: $+3/+10$
 > 200 mm ≤ 590 mm: $+8/+15$
 ≥ 600 mm: $+20/+50$



Drawings



Overview of items

Order No.	L = length	B	H	H1	S	S1
01780-02X	300/600	100	101,5	100	20	15

Overview of items

Order No.	L = length	B	H	H1	S	S1
01780-05X	300/600	200	197,5	200	32	24