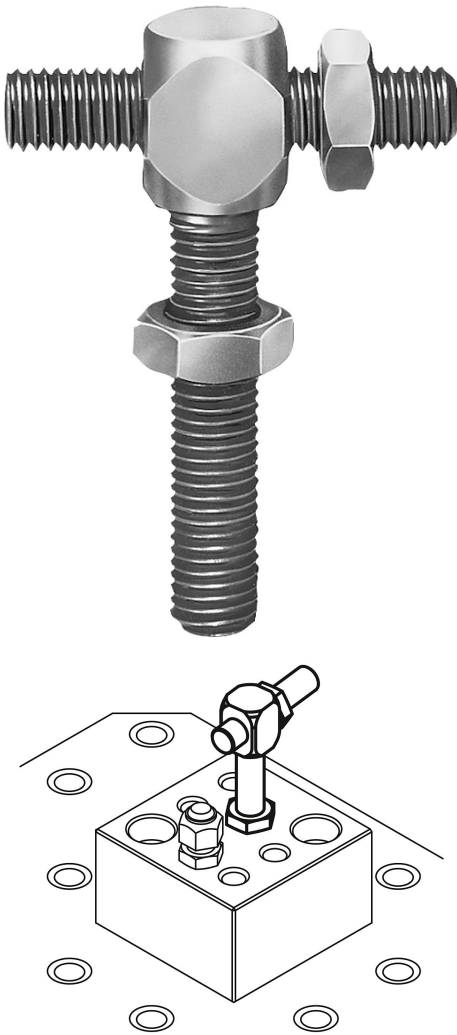


## Item description/product images

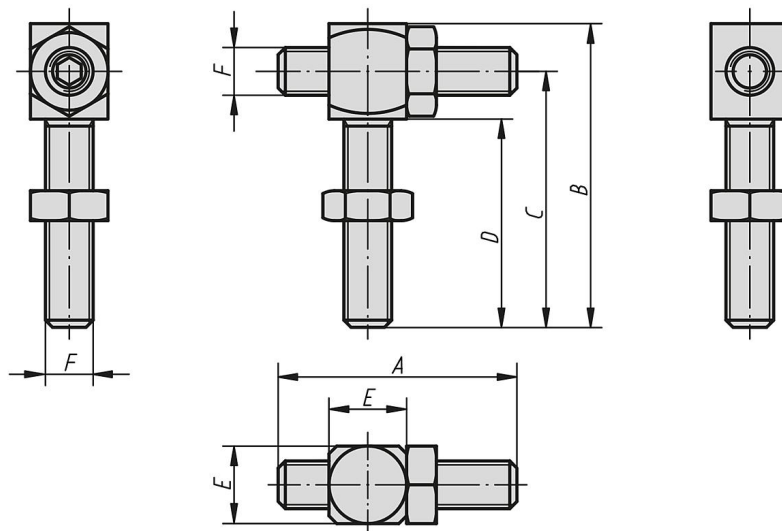


## Description

**Material:**  
Carbon steel, tempered.

**Version:**  
Black oxidised.

## Drawings



## Overview of items

Order No.	A	B	C	D	E	F
03085-06	30	44	37	30	10	M6
03085-08	40	56	48	40	13	M8
03085-10	50	70	60	50	17	M10
03085-12	60	84	72	60	19	M12
03085-16	80	112	96	80	24	M16