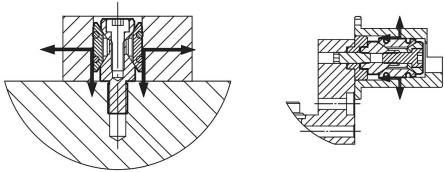


Item description/product images

**Description****Material:**

Body steel.

Bushes carbon steel.

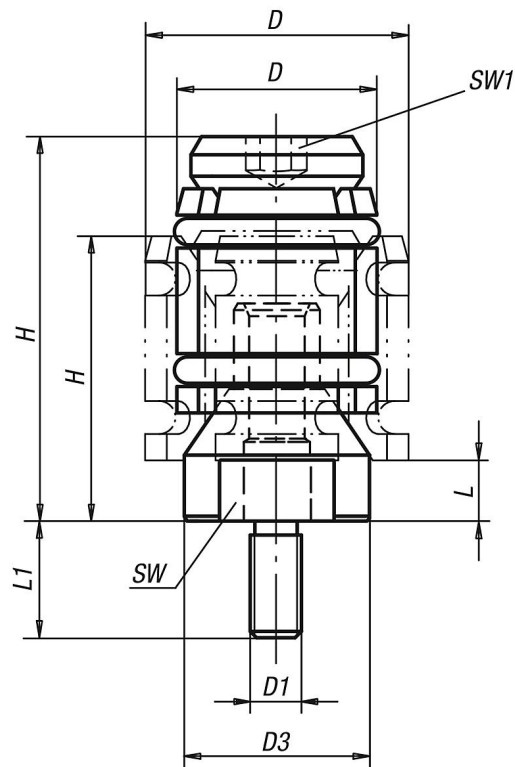
Version:

Black oxidised.

Note:

These centring clamps allow workpieces to be centred on and clamped in a bore. The clamps have a wide expansion range. The series covers a bore range of $\varnothing 12$ to $\varnothing 30$ mm. For M6 grid systems use the centring clamps with internal thread.

Drawings



Overview of items

| Order No. | Thread type | D | D1 | L1 | D min. | D3 | H min. | H max. | L min. | SW | SW1 | Clamping force max. kN | Tightening torque max. Nm |
|--------------|-----------------|----|----|----|--------|------|--------|--------|--------|----|-----|------------------------|---------------------------|
| 03165-061215 | external thread | 15 | M6 | 12 | 12 | 11,4 | 22 | 27,5 | 4,8 | 9 | 2,5 | 1,5 | 2,2 |
| 03165-061219 | external thread | 19 | M6 | 12 | 15 | 14 | 24,5 | 32 | 4,8 | 12 | 4 | 2,5 | 6 |
| 03165-081624 | external thread | 24 | M8 | 16 | 19 | 17,8 | 26 | 35 | 4,5 | 15 | 5 | 4 | 10 |
| 03165-081630 | external thread | 30 | M8 | 16 | 24 | 23 | 32 | 44,5 | 7 | 19 | 5 | 4,5 | 10 |