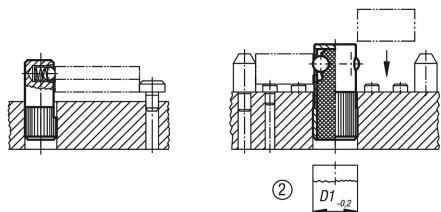


Item description/product images



Description

Material:

Body mild steel.
Ball steel or stainless steel hardened or POM.
Spring stainless steel or plastic.

Version:

Body black oxidised.
Ball bright.

Note:

The lateral spring plunger must be pressed into the hole to at least depth L3.
These plungers are for positioning and holding small parts in fixtures. If mechanical machining of the workpiece is to be carried out, other clamps may be necessary.
When the fixture is not in use it should be ensured that plastic springs are not under stress.

Spring force refers to a mean value.

Drawing reference:

- 1) knurl
- 2) light holding

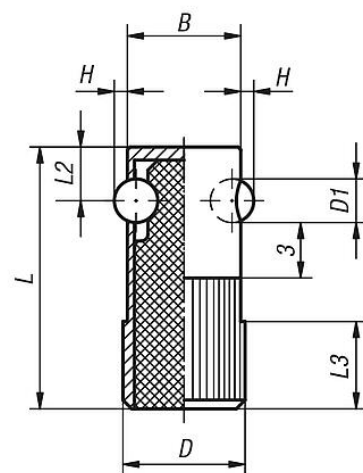
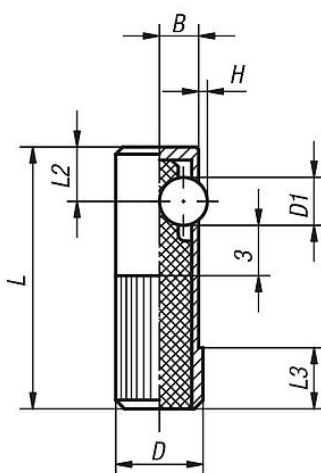
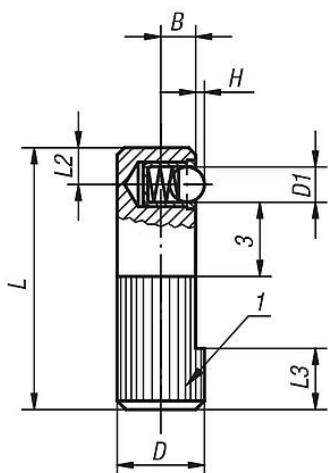
Drawings

Form A
stainless steel ball, one side

Form B
POM ball, one side

Form C
steel ball, one side
plastic spring

Form D
steel ball, both sides
plastic spring



Overview of items

Order No.	Form	B	D	D1	H	L	L2	L3	Receiving hole H8	Spring force initial pressure F1 approx. N	Spring force final pressure F2 approx. N
03340-008	A	3,2	8	3	0,7	25	3,6	6	8	2,5	6,5
03340-010	A	4	10	4	1,0	30	4,2	7	10	4,5	9
03340-012	A	5	12	5	1,5	35	4,8	9	12	6,5	13
03340-014	A	5,4	14	6,5	1,8	40	5,8	10	14	8	18
03340-108	B	3,2	8	3	0,7	25	3,6	6	8	2,5	6,5

Overview of items

Order No.	Form	B	D	D1	H	L	L2	L3	Receiving hole H8	Spring force initial pressure F1 approx. N	Spring force final pressure F2 approx. N
03340-110	B	4	10	4	1,0	30	4,2	7	10	4,5	9
03340-112	B	5	12	5	1,5	35	4,8	9	12	6,5	13
03340-114	B	5,4	14	6,5	1,8	40	5,8	10	14	8	18
03340-410	C	4,5	10	5,5	1	30	7	8	10	60	170
03340-412	C	5,5	12	6,5	1,5	35	8	9	12	80	260
03340-414	C	6,5	14	8	2	40	9	10	14	120	480
03340-616	D	15	16	5,5	1,5	35	7	11	16	110	220
03340-618	D	17	18	6,5	1,8	40	8	12	18	120	330
03340-622	D	21	22	8	2,5	45	9	15	22	130	540