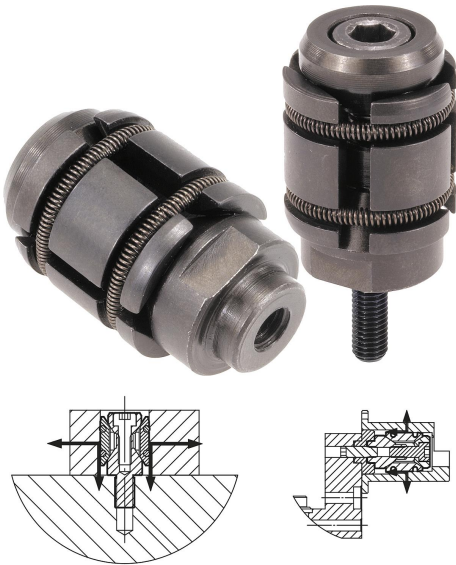


Item description/product images

**Description****Material:**

Body steel.

Bushes carbon steel.

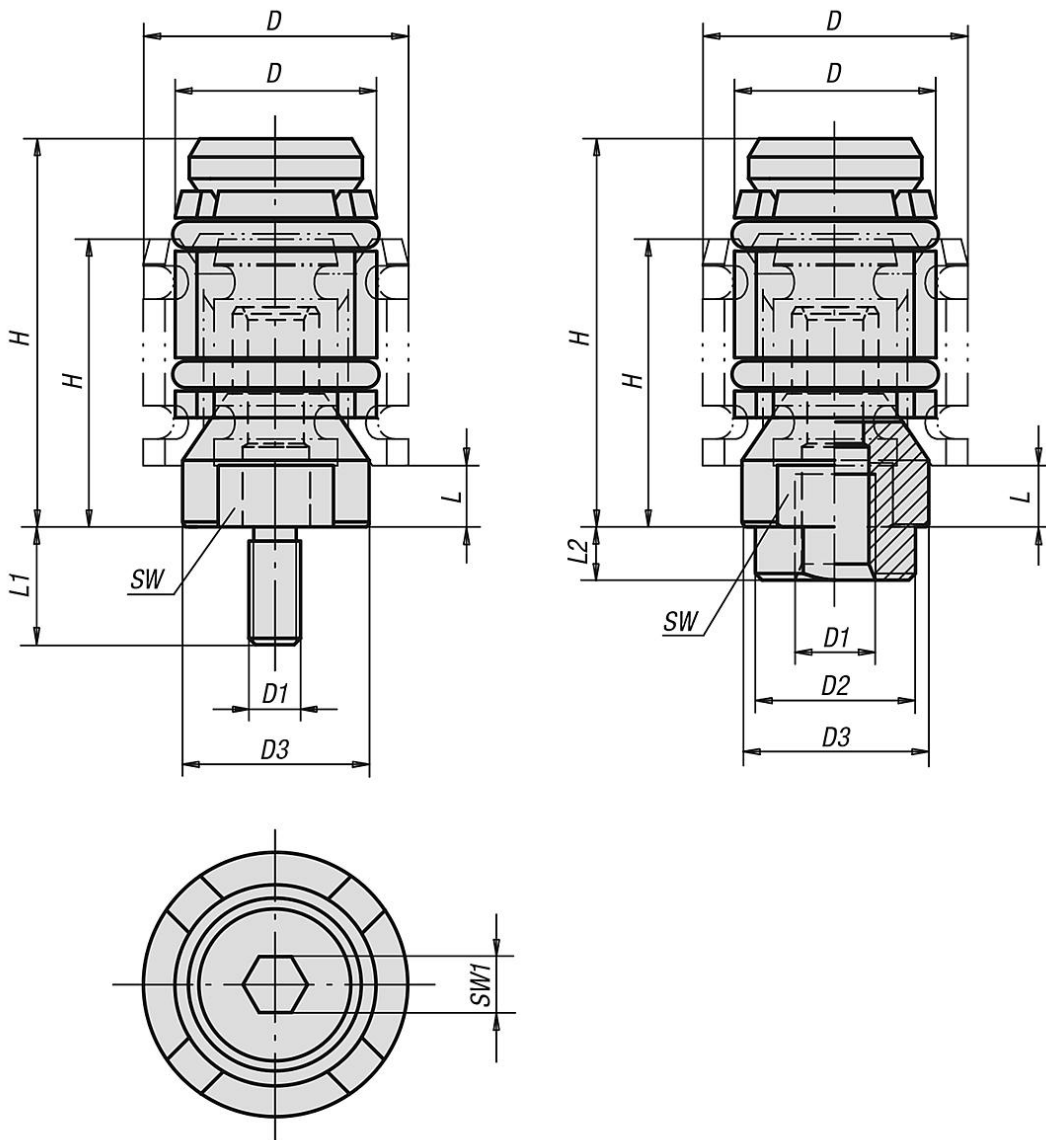
Version:

Black oxidised.

Note:

These centring clamps enable workpieces to be centred on and lightly clamped in a bore. The clamps have a wide expansion range. The series covers a bore range of $\varnothing 12$ to $\varnothing 30$ mm. To increase the centring accuracy the clamps with internal thread have a centring spigot (D2) for a locating hole. The centring accuracy is ± 0.2 mm. Centring clamps with internal threads fit on M6 grid systems (see illustration).

Drawings



Overview of items