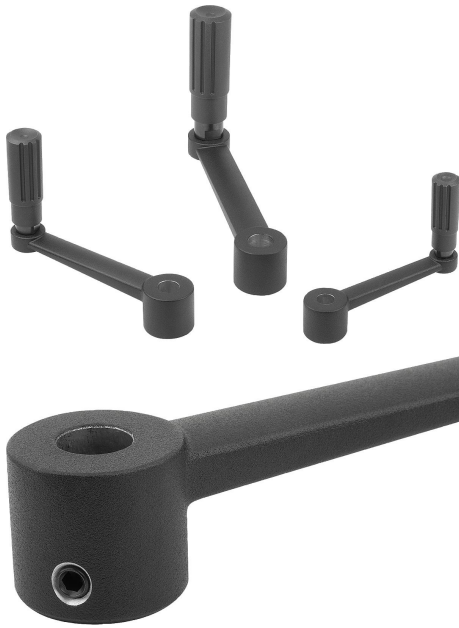


Item description/product images



Description

Material:

Crank aluminium.
Cylinder grip thermoplastic and steel.

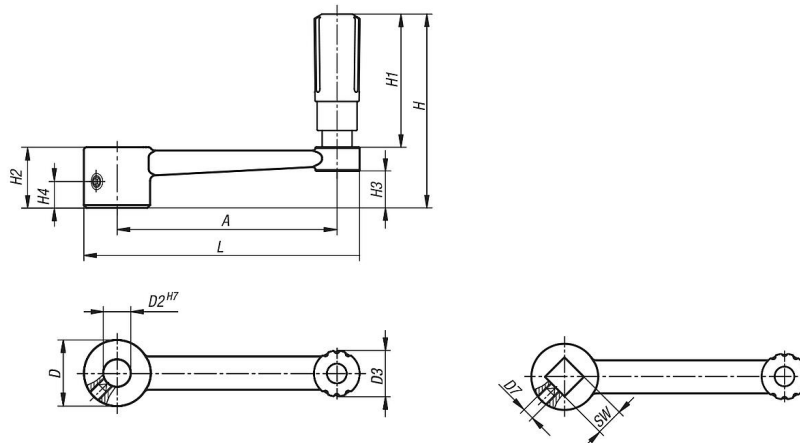
Version:

Crank black powder-coated.
Thermoplastic black grey.
Steel parts black oxidised.

Note:

Similar to DIN 469.
Versions with transverse bore are secured using the ISO 4027 (DIN 914) grub screw.

Drawings



Overview of items

Order No.	Version 1	Version 2	A	D	D2	D3	D7	H	H1	H2	H3	H4	L
06503-3110	reamed hole	without transverse hole	80	24	10	16	-	71,1	49,1	22	13,4	-	100
06503-3212	reamed hole	without transverse hole	100	28	12	20	-	87,4	61,4	26	16	-	124
06503-3314	reamed hole	without transverse hole	125	30	14	25	-	110,5	82,5	28	15,8	-	153
06503-3417	reamed hole	without transverse hole	160	34	17	25	-	114,5	82,5	32	19,6	-	190
06503-31106	reamed hole	revolving	80	24	10	16	M6	71,1	49,1	22	13,4	7,5	100
06503-32126	reamed hole	revolving	100	28	12	20	M6	87,4	61,4	26	16	7,5	124
06503-33146	reamed hole	revolving	125	30	14	26	M6	111	83	28	15,8	7,5	153
06503-34176	reamed hole	revolving	160	34	17	26	M6	115	83	32	19,6	7,5	190

Order No.	Version 1	Version 2	A	D	D3	D7	H	H1	H2	H3	H4	L	SW
06503-4110	square socket	without transverse hole	80	24	16	-	71,1	49,1	22	13,4	-	100	10
06503-4212	square socket	without transverse hole	100	28	20	-	87,4	61,4	26	16	-	124	12
06503-4314	square socket	without transverse hole	125	30	25	-	110,5	82,5	28	15,8	-	153	14
06503-4417	square socket	without transverse hole	160	34	25	-	114,5	82,5	32	19,6	-	190	17
06503-41106	square socket	revolving	80	24	16	M6	71,1	49,1	22	13,4	7,5	100	10
06503-42126	square socket	revolving	100	28	20	M6	87,4	61,4	26	16	7,5	124	12
06503-43146	square socket	revolving	125	30	26	M6	111	83	28	15,8	7,5	153	14

Overview of items

Order No.	Version 1	Version 2	A	D	D3	D7	H	H1	H2	H3	H4	L	SW
06503-44176	square socket	revolving	160	34	26	M6	115	83	32	19,6	7,5	190	17