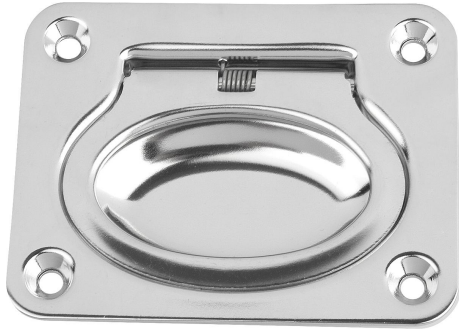


Item description/product images



Description

Material:

Stainless steel 1.4301.

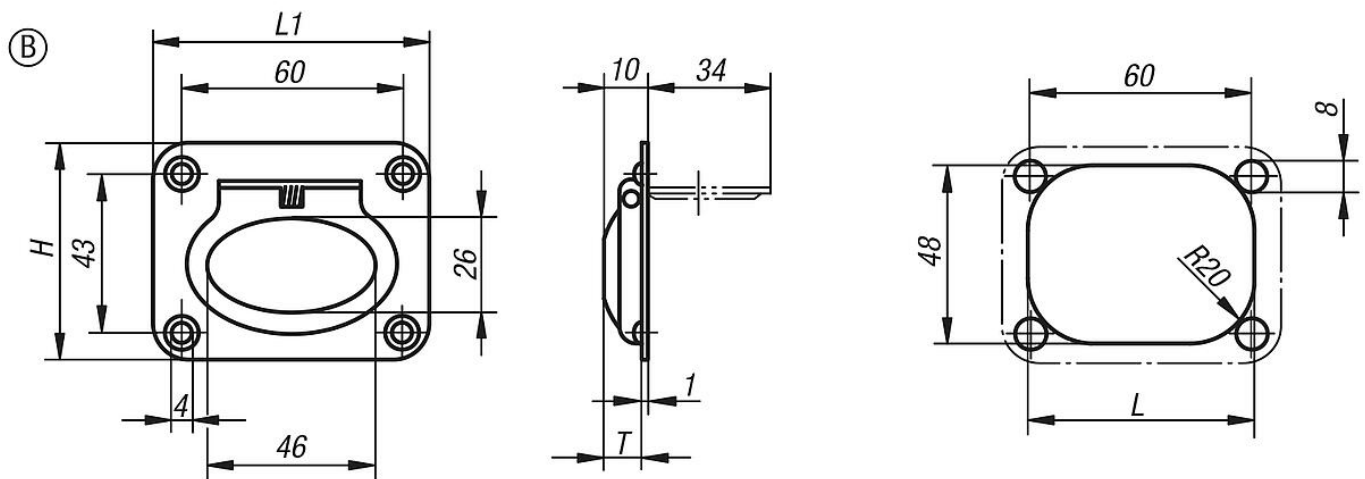
Version:

High-gloss electropolished.

Note:

Stainless steel retractable grips with marginal installation depth. For base and mounting plates or drawers. With return spring. The grip automatically swivels back into its resting position after use.

Drawings



Overview of items

Order No.	Form	Version 2	H	L	L1	T	Load capacity N
06970-2075058	B	screw on	58	63	75	9	200