

## Item description/product images



## Description

**Material:**

Stainless steel 1.4301.

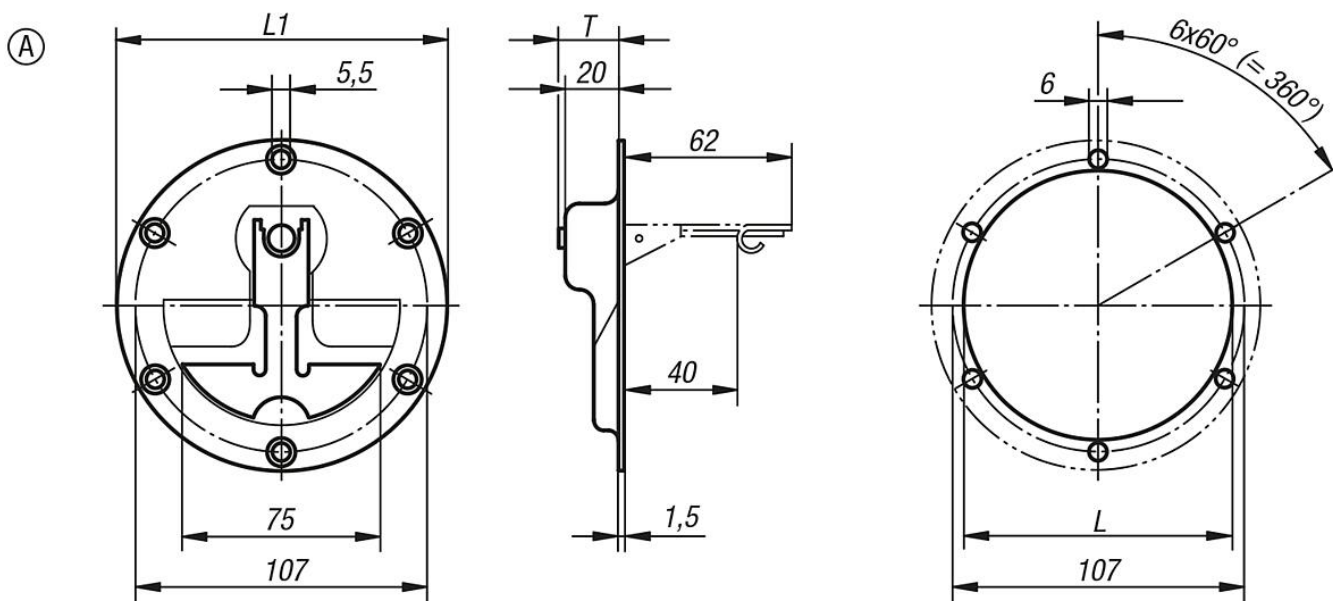
**Version:**

High-gloss electropolished.

**Note:**

Stainless steel retractable grips with marginal installation depth. For base and mounting plates or drawers. With return spring. The grip automatically swivels back into its resting position after use.

## Drawings



## Overview of items

Order No.	Form	Version 2	H	L	L1	T	Load capacity N
06970-1120000	A	screw on	120	98	120	22	200