

Item description/product images



Description

Material:

Oval aluminium EN AW-6060

Version:

Black or ruby red RAL 3003 powder-coated, natural tone anodised or bright vibratory ground.

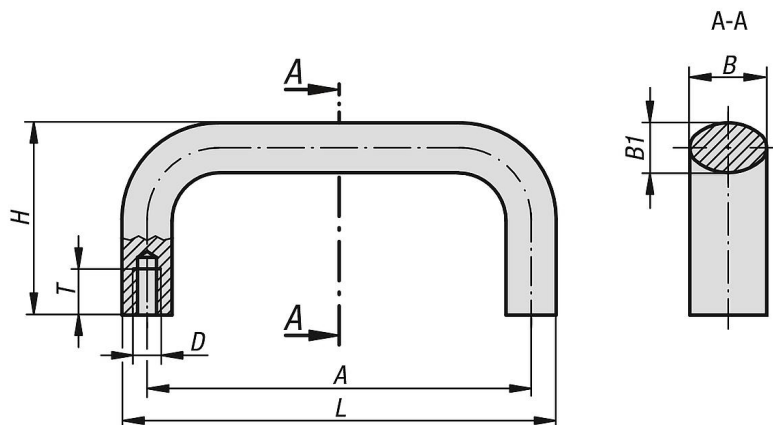
Note:

These pull handles are extremely robust and can also be used where rough usage is expected. The bright vibratory-ground version can be painted or coated after assembly.

Assembly:

From the rear.

Drawings



Overview of items

Order No.	Main colour	Surface finish body	A	B	B1	D	H	L	T	Load capacity N
06920-10001	black	powder-coated	100	21	13	M6	50	113	12	1000
06920-11201	black	powder-coated	112	21	13	M6	50	125	12	1000
06920-1120108	black	powder-coated	112	25	17	M8	55	129	14	1000
06920-12001	black	powder-coated	120	21	13	M6	50	133	12	1000
06920-1200108	black	powder-coated	120	25	17	M8	55	137	14	1000
06920-12801	black	powder-coated	128	21	13	M6	50	141	12	1000
06920-1280108	black	powder-coated	128	25	17	M8	55	145	14	1000
06920-1600106	black	powder-coated	160	21	13	M6	50	173	12	1000
06920-16001	black	powder-coated	160	25	17	M8	55	177	14	1000
06920-18001	black	powder-coated	180	25	17	M8	55	197	14	1000
06920-19201	black	powder-coated	192	25	17	M8	55	209	14	1000
06920-35001	black	powder-coated	350	25	17	M8	55	367	14	1000
06920-110003	natural	anodised	100	21	13	M6	50	113	12	1000
06920-111203	natural	anodised	112	21	13	M6	50	125	12	1000
06920-11120308	natural	anodised	112	25	17	M8	55	129	14	1000
06920-112003	natural	anodised	120	21	13	M6	50	133	12	1000
06920-11200308	natural	anodised	120	25	17	M8	55	137	14	1000
06920-112803	natural	anodised	128	21	13	M6	50	141	12	1000
06920-11280308	natural	anodised	128	25	17	M8	55	145	14	1000
06920-11600306	natural	anodised	160	21	13	M6	50	173	12	1000
06920-116003	natural	anodised	160	25	17	M8	55	177	14	1000

Overview of items

Order No.	Main colour	Surface finish body	A	B	B1	D	H	L	T	Load capacity N
06920-118003	natural	anodised	180	25	17	M8	55	197	14	1000
06920-119203	natural	anodised	192	25	17	M8	55	209	14	1000
06920-135003	natural	anodised	350	25	17	M8	55	367	14	1000
06920-10027	ruby red	powder-coated	100	21	13	M6	50	113	12	1000
06920-11227	ruby red	powder-coated	112	21	13	M6	50	125	12	1000
06920-1122708	ruby red	powder-coated	112	25	17	M8	55	129	14	1000
06920-12027	ruby red	powder-coated	120	21	13	M6	50	133	12	1000
06920-1202708	ruby red	powder-coated	120	25	17	M8	55	137	14	1000
06920-12827	ruby red	powder-coated	128	21	13	M6	50	141	12	1000
06920-1282708	ruby red	powder-coated	128	25	17	M8	55	145	14	1000
06920-1602706	ruby red	powder-coated	160	21	13	M6	50	173	12	1000
06920-16027	ruby red	powder-coated	160	25	17	M8	55	177	14	1000
06920-18027	ruby red	powder-coated	180	25	17	M8	55	197	14	1000
06920-19227	ruby red	powder-coated	192	25	17	M8	55	209	14	1000
06920-35027	ruby red	powder-coated	350	25	17	M8	55	367	14	1000
06920-100	-	bright and tumbled	100	21	13	M6	50	113	12	1000
06920-112	-	bright and tumbled	112	21	13	M6	50	125	12	1000
06920-120	-	bright and tumbled	120	21	13	M6	50	133	12	1000
06920-128	-	bright and tumbled	128	21	13	M6	50	141	12	1000
06920-16006	-	bright and tumbled	160	21	13	M6	50	173	12	1000
06920-11208	-	bright and tumbled	112	25	17	M8	55	129	14	1000
06920-12008	-	bright and tumbled	120	25	17	M8	55	137	14	1000
06920-12808	-	bright and tumbled	128	25	17	M8	55	145	14	1000
06920-160	-	bright and tumbled	160	25	17	M8	55	177	14	1000
06920-180	-	bright and tumbled	180	25	17	M8	55	197	14	1000
06920-192	-	bright and tumbled	192	25	17	M8	55	209	14	1000
06920-350	-	bright and tumbled	350	25	17	M8	55	367	14	1000