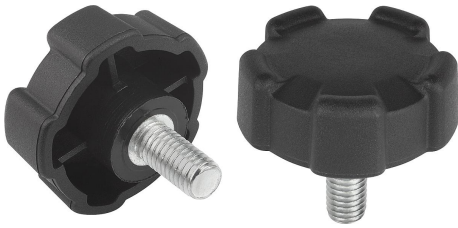


Item description/product images



Description

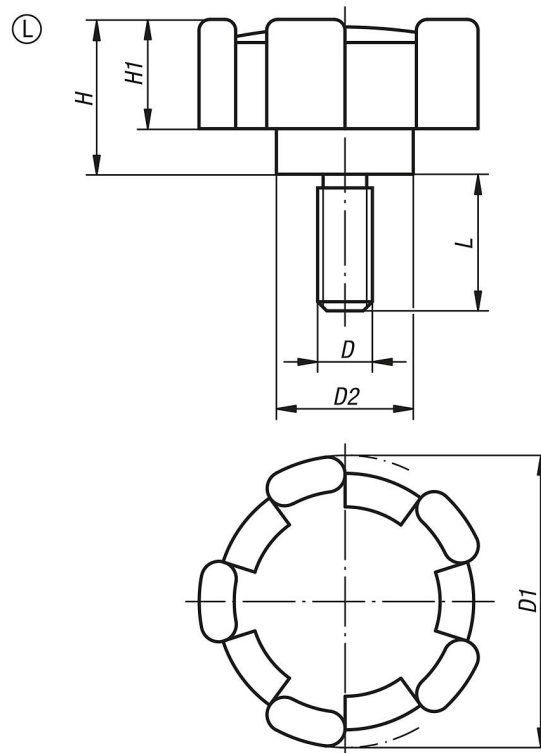
Material:

Black grey thermoplastic.
Threaded pin steel 5.8.

Version:

Steel trivalent blue-passivated.

Drawings



Overview of items

Order No.	Form	D	D1	D2	H	H1	L
06853-320615	L	M6	32	15	17	12	15
06853-400816	L	M8	40	18	20,5	14,5	16
06853-501020	L	M10	50	20	25	18	20