

## Item description/product images



## Description

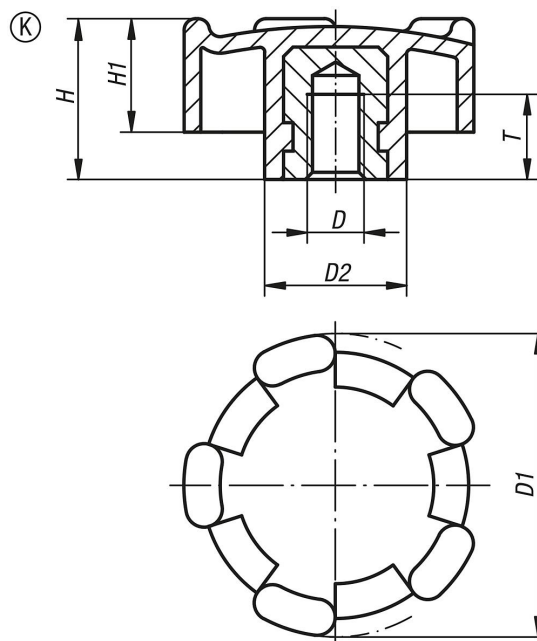
**Material:**

Grip black grey thermoplastic.  
Bush steel.

**Note:**

The version 06853-3206 has a brass bush.

## Drawings



## Overview of items

Order No.	Form	D	D1	D2	H	H1	T
06853-3206	K	M6	32	15	17	12	9
06853-4008	K	M8	40	18	20,5	14,5	11
06853-5010	K	M10	50	20	25	18	14