

Item description/product images



Description

Material:

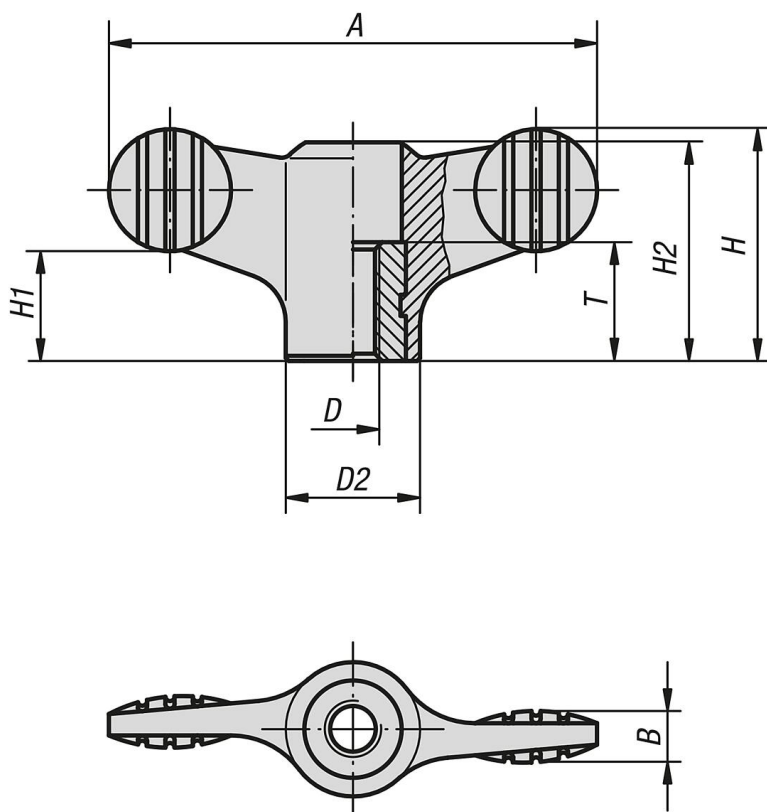
Grip thermoplastic.

Bush steel 5.8 or stainless steel 1.4305.

Version:

Steel trivalent blue passivated, stainless steel bright.

Drawings



Overview of items

Order No.	Component material	A	B	D	D2	H	H1	H2	T
06652-1904	steel	38	4,5	M4	12	18	8,5	16,1	10
06652-1905	steel	38	4,5	M5	12	18	8,5	16,1	10
06652-1906	steel	38	4,5	M6	12	18	8,5	16,1	10
06652-1105	steel	50	5	M5	14	24	11,5	22	10
06652-1106	steel	50	5	M6	14	24	11,5	22	10
06652-1208	steel	75	7	M8	21	35,6	17	33,3	14
06652-1210	steel	75	7	M10	21	35,6	17	33,3	14
06652-10904	stainless steel	38	4,5	M4	12	18	8,5	16,1	10
06652-10905	stainless steel	38	4,5	M5	12	18	8,5	16,1	10
06652-10906	stainless steel	38	4,5	M6	12	18	8,5	16,1	10
06652-10105	stainless steel	50	5	M5	14	24	11,5	22	10
06652-10106	stainless steel	50	5	M6	14	24	11,5	22	10
06652-10208	stainless steel	75	7	M8	21	35,6	17	33,3	14
06652-10210	stainless steel	75	7	M10	21	35,6	17	33,3	14

