

Item description/product images



Description

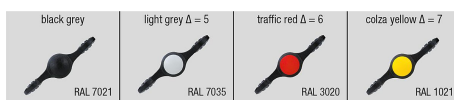
Material:

Black thermoplastic.

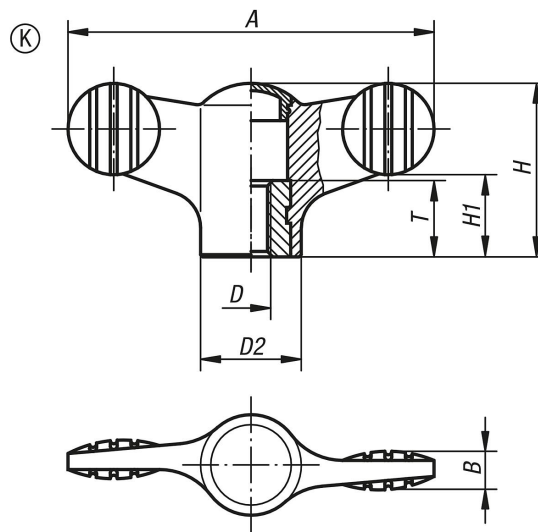
Bush grade 5.8 steel or 1.4305 stainless steel.

Version:

Steel trivalent blue passivated, stainless steel bright.



Drawings



Overview of items

Order No.	Component material	Colour Cap	A	D	D2	B	H	H1	T
06652-904	steel	black grey RAL 7021	38	M4	12	4,5	18	8,5	10
06652-9045	steel	light grey RAL 7035	38	M4	12	4,5	18	8,5	10
06652-9046	steel	traffic red RAL 3020	38	M4	12	4,5	18	8,5	10
06652-9047	steel	colza yellow RAL 1021	38	M4	12	4,5	18	8,5	10
06652-905	steel	black grey RAL 7021	38	M5	12	4,5	18	8,5	10
06652-9055	steel	light grey RAL 7035	38	M5	12	4,5	18	8,5	10
06652-9056	steel	traffic red RAL 3020	38	M5	12	4,5	18	8,5	10
06652-9057	steel	colza yellow RAL 1021	38	M5	12	4,5	18	8,5	10
06652-906	steel	black grey RAL 7021	38	M6	12	4,5	18	8,5	10
06652-9065	steel	light grey RAL 7035	38	M6	12	4,5	18	8,5	10
06652-9066	steel	traffic red RAL 3020	38	M6	12	4,5	18	8,5	10
06652-9067	steel	colza yellow RAL 1021	38	M6	12	4,5	18	8,5	10
06652-105	steel	black grey RAL 7021	50	M5	14	5	24	11,5	10
06652-1055	steel	light grey RAL 7035	50	M5	14	5	24	11,5	10
06652-1056	steel	traffic red RAL 3020	50	M5	14	5	24	11,5	10
06652-1057	steel	colza yellow RAL 1021	50	M5	14	5	24	11,5	10
06652-106	steel	black grey RAL 7021	50	M6	14	5	24	11,5	10
06652-1065	steel	light grey RAL 7035	50	M6	14	5	24	11,5	10
06652-1066	steel	traffic red RAL 3020	50	M6	14	5	24	11,5	10
06652-1067	steel	colza yellow RAL 1021	50	M6	14	5	24	11,5	10
06652-208	steel	black grey RAL 7021	75	M8	21	7	35,6	16,5	14
06652-2085	steel	light grey RAL 7035	75	M8	21	7	35,6	16,5	14
06652-2086	steel	traffic red RAL 3020	75	M8	21	7	35,6	16,5	14
06652-2087	steel	colza yellow RAL 1021	75	M8	21	7	35,6	16,5	14
06652-210	steel	black grey RAL 7021	75	M10	21	7	35,6	16,5	14
06652-2105	steel	light grey RAL 7035	75	M10	21	7	35,6	16,5	14
06652-2106	steel	traffic red RAL 3020	75	M10	21	7	35,6	16,5	14
06652-2107	steel	colza yellow RAL 1021	75	M10	21	7	35,6	16,5	14
06652-0904	stainless steel	black grey RAL 7021	38	M4	12	4,5	18	8,5	10
06652-09045	stainless steel	light grey RAL 7035	38	M4	12	4,5	18	8,5	10
06652-09046	stainless steel	traffic red RAL 3020	38	M4	12	4,5	18	8,5	10
06652-09047	stainless steel	colza yellow RAL 1021	38	M4	12	4,5	18	8,5	10
06652-0905	stainless steel	black grey RAL 7021	38	M5	12	4,5	18	8,5	10
06652-09055	stainless steel	light grey RAL 7035	38	M5	12	4,5	18	8,5	10
06652-09056	stainless steel	traffic red RAL 3020	38	M5	12	4,5	18	8,5	10
06652-09057	stainless steel	colza yellow RAL 1021	38	M5	12	4,5	18	8,5	10
06652-0906	stainless steel	black grey RAL 7021	38	M6	12	4,5	18	8,5	10
06652-09065	stainless steel	light grey RAL 7035	38	M6	12	4,5	18	8,5	10
06652-09066	stainless steel	traffic red RAL 3020	38	M6	12	4,5	18	8,5	10
06652-09067	stainless steel	colza yellow RAL 1021	38	M6	12	4,5	18	8,5	10
06652-0105	stainless steel	black grey RAL 7021	50	M5	14	5	24	11,5	10

Overview of items

Order No.	Component material	Colour Cap	A	D	D2	B	H	H1	T
06652-01055	stainless steel	light grey RAL 7035	50	M5	14	5	24	11,5	10
06652-01056	stainless steel	traffic red RAL 3020	50	M5	14	5	24	11,5	10
06652-01057	stainless steel	colza yellow RAL 1021	50	M5	14	5	24	11,5	10
06652-0106	stainless steel	black grey RAL 7021	50	M6	14	5	24	11,5	10
06652-01065	stainless steel	light grey RAL 7035	50	M6	14	5	24	11,5	10
06652-01066	stainless steel	traffic red RAL 3020	50	M6	14	5	24	11,5	10
06652-01067	stainless steel	colza yellow RAL 1021	50	M6	14	5	24	11,5	10
06652-0208	stainless steel	black grey RAL 7021	75	M8	21	7	35,6	16,5	14
06652-02085	stainless steel	light grey RAL 7035	75	M8	21	7	35,6	16,5	14
06652-02086	stainless steel	traffic red RAL 3020	75	M8	21	7	35,6	16,5	14
06652-02087	stainless steel	colza yellow RAL 1021	75	M8	21	7	35,6	16,5	14
06652-0210	stainless steel	black grey RAL 7021	75	M10	21	7	35,6	16,5	14
06652-02105	stainless steel	light grey RAL 7035	75	M10	21	7	35,6	16,5	14
06652-02106	stainless steel	traffic red RAL 3020	75	M10	21	7	35,6	16,5	14
06652-02107	stainless steel	colza yellow RAL 1021	75	M10	21	7	35,6	16,5	14