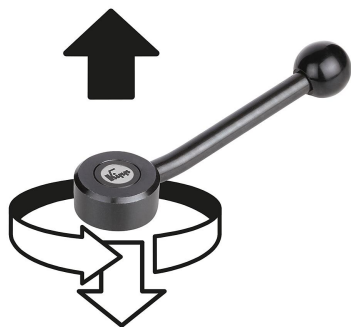


## Item description/product images



lift to  
disengage

**Description****Material:**

Steel parts grade 5.8.  
Ball knob black plastic.

**Version:**

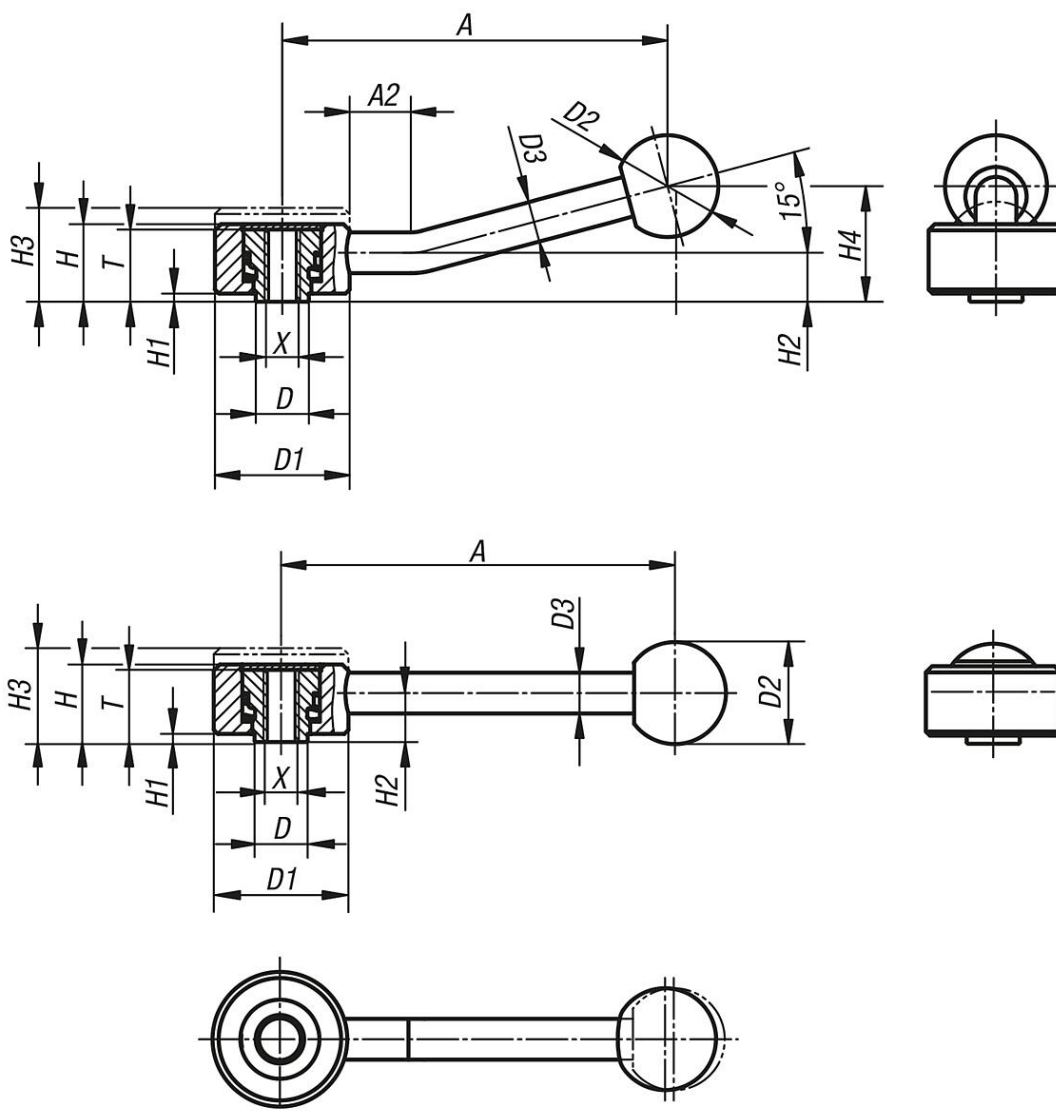
Black oxidised.

**On request:**

Other threads and special versions.

Dimensions "H1" and "A" available in other lengths at extra charge.

Drawings



Overview of items

Order No.	Form	X	T	A	A2	D	D1	D2	D3	H	H1	H2	H3	H4	No. of teeth
06390-1061	0°	M6	18	102	-	13,5	33	25	10	19	2	12	23	-	26
06390-1081	0°	M8	18	102	-	13,5	33	25	10	19	2	12	23	-	26
06390-2101	0°	M10	21	131	-	19	41	30	12	22	2	13,5	26	-	30
06390-2121	0°	M12	21	131	-	19	41	30	12	22	2	13,5	26	-	30
06390-3121	0°	M12	27	148	-	23	45	37	14	28	2	17	33	-	36
06390-3161	0°	M16	27	148	-	23	45	37	14	28	2	17	33	-	36
06390-1062	15°	M6	18	100	15	13,5	33	25	10	19	2	12	23	29	26
06390-1082	15°	M8	18	100	15	13,5	33	25	10	19	2	12	23	29	26
06390-2102	15°	M10	21	127	15	19	41	30	12	22	2	13,5	26	38	30
06390-2122	15°	M12	21	127	15	19	41	30	12	22	2	13,5	26	38	30
06390-3122	15°	M12	27	145	15	23	45	37	14	28	2	17	33	48	36
06390-3162	15°	M16	27	145	15	23	45	37	14	28	2	17	33	48	36

