

Item description/product images



Description

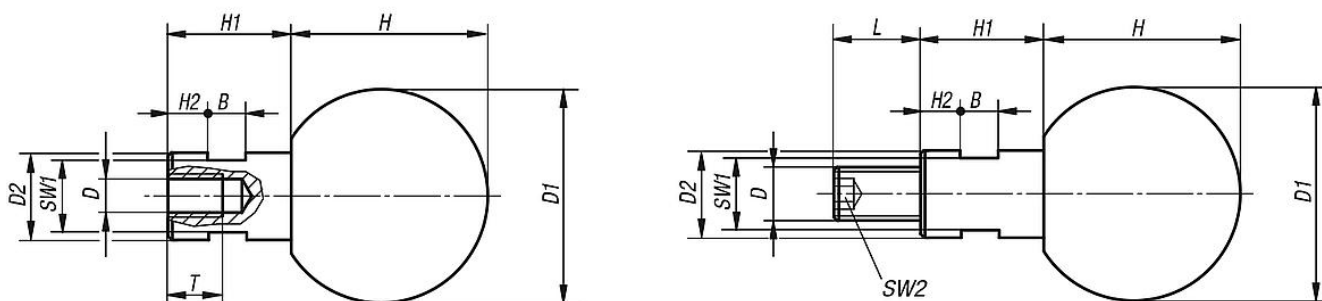
Material:

Ball thermoset PF 31.
 Bush and screw steel or stainless steel 1.4305.

Version:

Ball black glossy.
 Steel trivalent blue passivated.
 Stainless steel bright.

Drawings



Overview of items

Ball grips revolving with internal thread

Order No. steel	Order No. stainless steel	B	D	D1	D2	H	H1	H2	SW1	T
06353-060	06353-1060	5	M6	25	10	22,5	15	5	8	12,5
06353-080	06353-1080	6	M8	32	13	29,5	19	6	10	15
06353-100	06353-1100	8	M10	40	16	37	24	8	13	19
06353-120	06353-1120	10	M12	50	20	47	31	12	17	21,5

Ball grips revolving with external thread

Order No. steel	Order No. stainless steel	B	D	D1	D2	H	H1	H2	L	SW1	SW2
06353-061	06353-1061	5	M6	25	10	22,5	15	5	11	8	3
06353-081	06353-1081	6	M8	32	13	29,5	19	6	13	10	4
06353-101	06353-1101	8	M10	40	16	37	24	8	14	13	5
06353-121	06353-1121	10	M12	50	20	47	31	12	21	17	6