

## Item description/product images

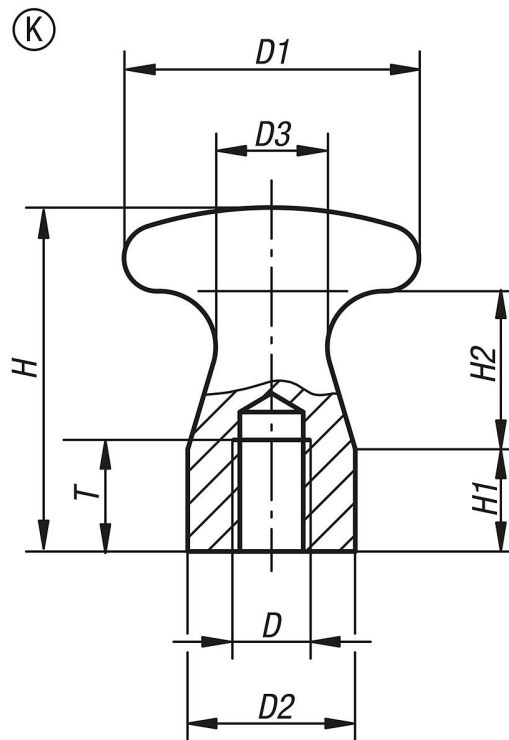


## Description

**Material:**  
Steel.

**Version:**  
Black oxidised.

## Drawings



## Overview of items

Order No.	Form	D	D1	D2	D3	H	H1	H2	T
06237-05	K	M5	16	10	6	18	5	9	7
06237-06	K	M6	25	14	10	29	9	13	9
06237-08	K	M8	32	18	12	37	11	17	12
06237-10	K	M10	36	20	13	42	12	20	15