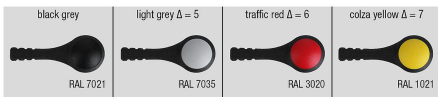


Item description/product images



Description

Material:

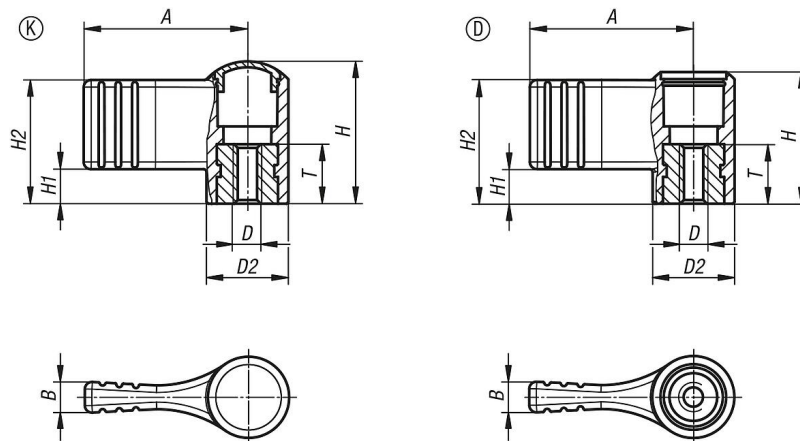
Thermoplastic.

Bush steel 5.8 or stainless steel 1.4305.

Version:

Steel trivalent blue passivated, stainless steel bright.

Drawings



Overview of items

