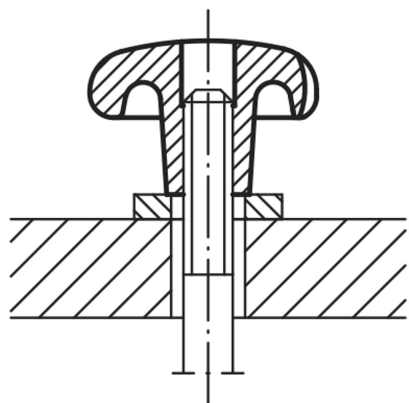
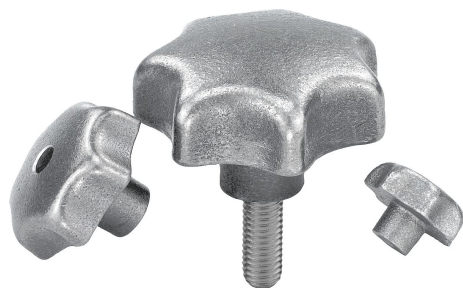


Item description/product images



Description

Material:

Grey cast iron GJL 200.
Grub screw stainless steel 1.4305.
Pin stainless steel 1.4310.

Version:

Vibratory ground, bright.
Grub screw and pin bright.

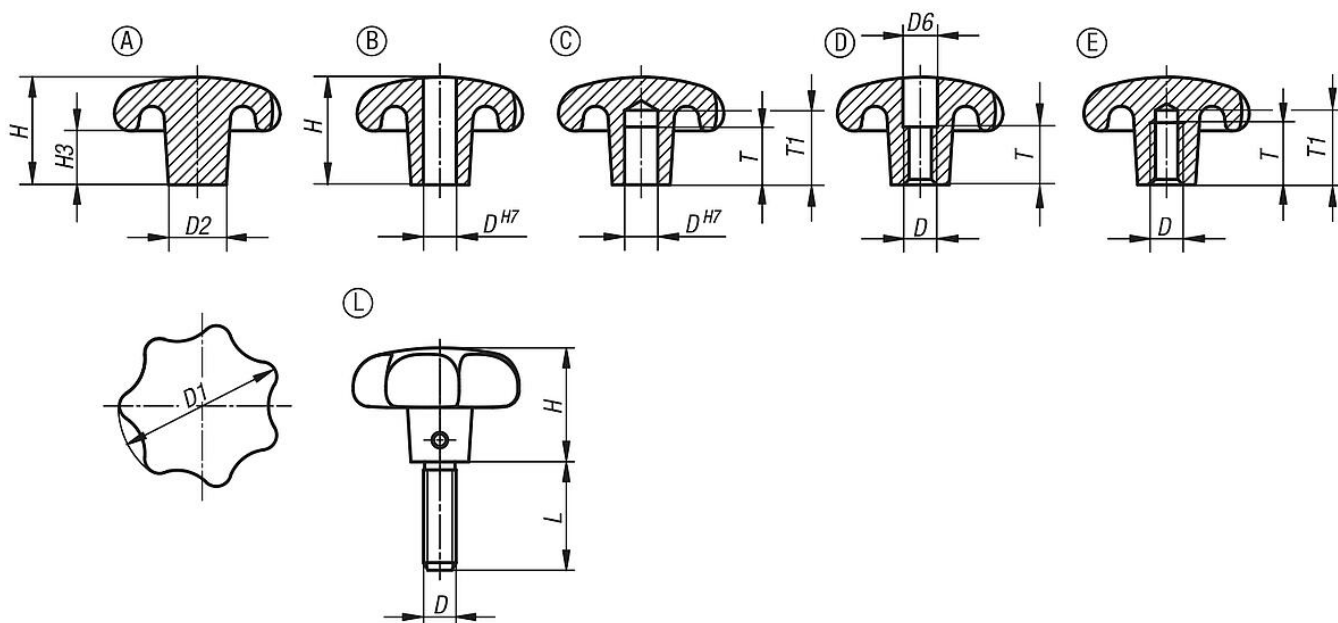
On request:

Grips with a plastic coating.

Drawing reference:

Form A: blank
Form B: drilled through
Form C: blind hole
Form D: tapped and counterbored
Form E: tapped blind hole
Form L: external thread

Drawings



Overview of items

Order No.	Form	Surface finish body	D	D1	D2	D6	H	H3	L	T	T1
06200-106	A	tumbled	-	32	12	-	21	10	-	-	-
06200-108	A	tumbled	-	40	14	-	26	13	-	-	-
06200-110	A	tumbled	-	50	18	-	34	17	-	-	-
06200-112	A	tumbled	-	63	20	-	42	21	-	-	-
06200-116	A	tumbled	-	80	25	-	52	25	-	-	-
06200-206	B	tumbled	6	32	12	-	20	10	-	-	-
06200-208	B	tumbled	8	40	14	-	25	13	-	-	-

Overview of items

Order No.	Form	Surface finish body	D	D1	D2	D6	H	H3	L	T	T1
06200-210	B	tumbled	10	50	18	-	32	17	-	-	-
06200-212	B	tumbled	12	63	20	-	40	21	-	-	-
06200-216	B	tumbled	16	80	25	-	50	25	-	-	-
06200-306	C	tumbled	6	32	12	-	20	10	-	12	15
06200-308	C	tumbled	8	40	14	-	25	13	-	15	18
06200-310	C	tumbled	10	50	18	-	32	17	-	18	21
06200-312	C	tumbled	12	63	20	-	40	21	-	22	25
06200-316	C	tumbled	16	80	25	-	50	25	-	28	32
06200-406	D	tumbled	M6	32	12	6,4	20	10	-	10	-
06200-408	D	tumbled	M8	40	14	8,4	25	13	-	13	-
06200-410	D	tumbled	M10	50	18	10,5	32	17	-	16	-
06200-412	D	tumbled	M12	63	20	13	40	21	-	20	-
06200-416	D	tumbled	M16	80	25	17	50	25	-	20	-
06200-506	E	tumbled	M6	32	12	-	20	10	-	12	15
06200-508	E	tumbled	M8	40	14	-	25	13	-	15	18
06200-510	E	tumbled	M10	50	18	-	32	17	-	18	21
06200-512	E	tumbled	M12	63	20	-	40	21	-	22	25
06200-516	E	tumbled	M16	80	25	-	50	25	-	28	32
06200-606X15	L	tumbled	M6	32	12	-	20	-	15	-	-
06200-606X20	L	tumbled	M6	32	12	-	20	-	20	-	-
06200-606X25	L	tumbled	M6	32	12	-	20	-	25	-	-
06200-606X30	L	tumbled	M6	32	12	-	20	-	30	-	-
06200-608X20	L	tumbled	M8	40	14	-	25	-	20	-	-
06200-608X25	L	tumbled	M8	40	14	-	25	-	25	-	-
06200-608X30	L	tumbled	M8	40	14	-	25	-	30	-	-
06200-608X40	L	tumbled	M8	40	14	-	25	-	40	-	-
06200-610X25	L	tumbled	M10	50	18	-	32	-	25	-	-
06200-610X30	L	tumbled	M10	50	18	-	32	-	30	-	-
06200-610X40	L	tumbled	M10	50	18	-	32	-	40	-	-
06200-610X50	L	tumbled	M10	50	18	-	32	-	50	-	-
06200-612X30	L	tumbled	M12	63	20	-	40	-	30	-	-
06200-612X40	L	tumbled	M12	63	20	-	40	-	40	-	-
06200-612X50	L	tumbled	M12	63	20	-	40	-	50	-	-
06200-612X60	L	tumbled	M12	63	20	-	40	-	60	-	-