

Item description/product images



Description

Material:

Aluminium.

Grub screw stainless steel 1.4305.

Pin stainless steel 1.4310.

Version:

Vibratory ground or ground and polished.

Grub screw and pin bright.

On request:

Blank star grips (not tumbled).

Drawing reference:

Form A: blank

Form B: drilled through

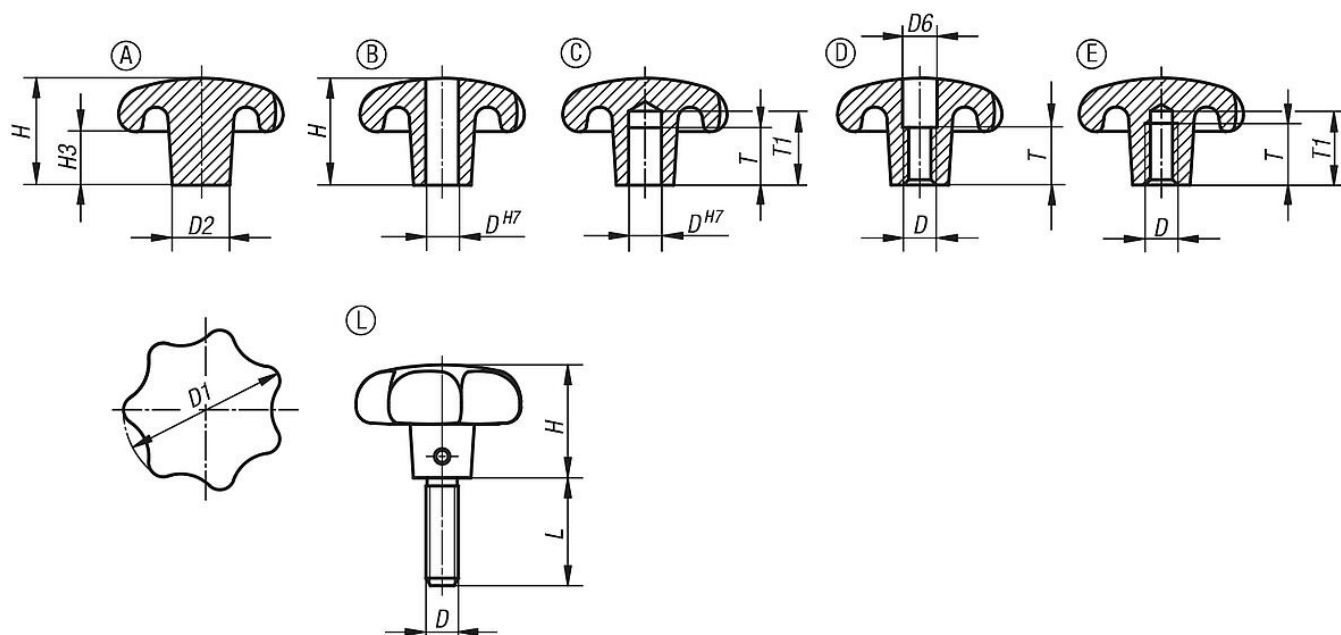
Form C: blind hole

Form D: tapped and counterbored

Form E: tapped blind hole

Form L: external thread

Drawings



Overview of items

Order No.	Form	Surface finish body	D	D1	D2	D6	H	H3	L	T	T1
06192-14008	A	tumbled	-	40	14	-	26	13	-	-	-
06192-15010	A	tumbled	-	50	18	-	34	17	-	-	-
06192-16312	A	tumbled	-	63	20	-	42	21	-	-	-
06192-18016	A	tumbled	-	80	25	-	52	25	-	-	-
06192-240082	B	polished	8	40	14	-	25	13	-	-	-
06192-250102	B	polished	10	50	18	-	32	17	-	-	-
06192-263122	B	polished	12	63	20	-	40	21	-	-	-
06192-280162	B	polished	16	80	25	-	50	25	-	-	-
06192-24008	B	tumbled	8	40	14	-	25	13	-	-	-

Overview of items

Order No.	Form	Surface finish body	D	D1	D2	D6	H	H3	L	T	T1
06192-25010	B	tumbled	10	50	18	-	32	17	-	-	-
06192-26312	B	tumbled	12	63	20	-	40	21	-	-	-
06192-28016	B	tumbled	16	80	25	-	50	25	-	-	-
06192-340082	C	polished	8	40	14	-	25	13	-	15	18
06192-350102	C	polished	10	50	18	-	32	17	-	18	21
06192-363122	C	polished	12	63	20	-	40	21	-	22	25
06192-380162	C	polished	16	80	25	-	50	25	-	28	32
06192-34008	C	tumbled	8	40	14	-	25	13	-	15	18
06192-35010	C	tumbled	10	50	18	-	32	17	-	18	21
06192-36312	C	tumbled	12	63	20	-	40	21	-	22	25
06192-38016	C	tumbled	16	80	25	-	50	25	-	28	32
06192-440082	D	polished	M8	40	14	8,4	25	13	-	12	-
06192-450102	D	polished	M10	50	18	10,5	32	17	-	16	-
06192-463122	D	polished	M12	63	20	13	40	21	-	20	-
06192-480162	D	polished	M16	80	25	17	50	25	-	30	-
06192-44008	D	tumbled	M8	40	14	8,4	25	13	-	12	-
06192-45010	D	tumbled	M10	50	18	10,5	32	17	-	16	-
06192-46312	D	tumbled	M12	63	20	13	40	21	-	20	-
06192-48016	D	tumbled	M16	80	25	17	50	25	-	30	-
06192-540082	E	polished	M8	40	14	-	25	13	-	15	18
06192-550102	E	polished	M10	50	18	-	32	17	-	18	21
06192-563122	E	polished	M12	63	20	-	40	21	-	22	25
06192-580162	E	polished	M16	80	25	-	50	25	-	28	32
06192-54008	E	tumbled	M8	40	14	-	25	13	-	15	18
06192-55010	E	tumbled	M10	50	18	-	32	17	-	18	21
06192-56312	E	tumbled	M12	63	20	-	40	21	-	22	25
06192-58016	E	tumbled	M16	80	25	-	50	25	-	28	32
06192-64008X20	L	tumbled	M8	40	14	-	25	-	20	-	-
06192-64008X25	L	tumbled	M8	40	14	-	25	-	25	-	-
06192-64008X40	L	tumbled	M8	40	14	-	25	-	40	-	-
06192-64008X30	L	tumbled	M8	40	14	-	25	-	30	-	-
06192-65010X30	L	tumbled	M10	50	18	-	32	-	30	-	-
06192-65010X40	L	tumbled	M10	50	18	-	32	-	40	-	-
06192-65010X25	L	tumbled	M10	50	18	-	32	-	25	-	-
06192-65010X50	L	tumbled	M10	50	18	-	32	-	50	-	-
06192-66312X30	L	tumbled	M12	63	20	-	40	-	30	-	-
06192-66312X40	L	tumbled	M12	63	20	-	40	-	40	-	-
06192-66312X50	L	tumbled	M12	63	20	-	40	-	50	-	-
06192-66312X60	L	tumbled	M12	63	20	-	40	-	60	-	-