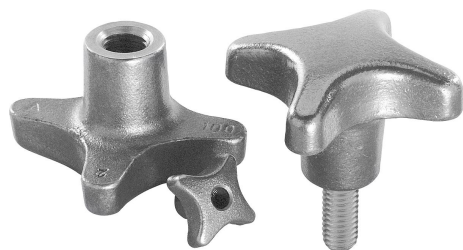


Item description/product images



Description

Material:

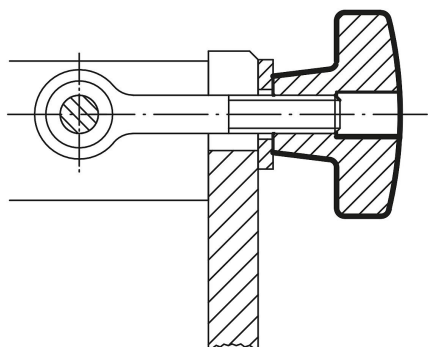
Grey cast iron GJL 200.
Grub screw stainless steel 1.4305.
Pin stainless steel 1.4310.

Version:

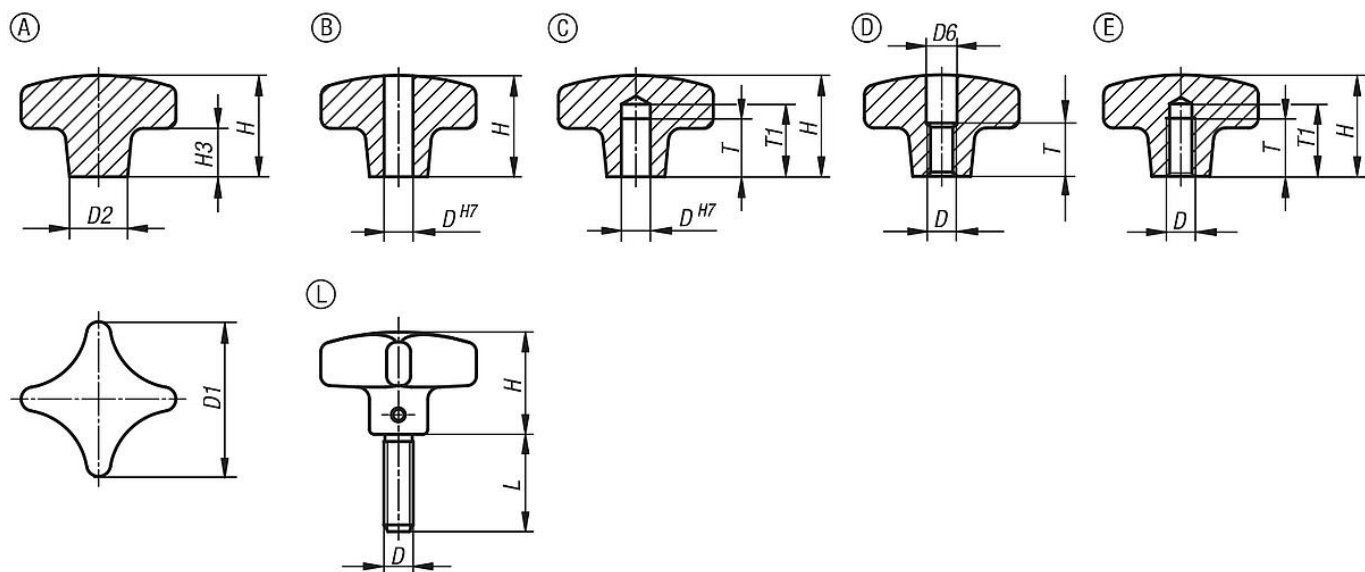
Vibratory ground, bright.
Grub screw and pin bright.

Drawing reference:

Form A: blank
Form B: drilled through
Form C: blind hole
Form D: tapped and counterbored
Form E: tapped blind hole
Form L: external thread



Drawings



Overview of items

Order No.	Form	Surface finish body	D	D1	D2	D6	H	H3	L	T	T1
06160-106	A	tumbled	-	32	12	-	21	10	-	-	-
06160-108	A	tumbled	-	40	14	-	26	14	-	-	-
06160-110	A	tumbled	-	50	18	-	34	20	-	-	-
06160-112	A	tumbled	-	63	20	-	42	25	-	-	-
06160-116	A	tumbled	-	80	25	-	52	30	-	-	-
06160-120	A	tumbled	-	100	32	-	65	38	-	-	-
06160-206	B	tumbled	6	32	12	-	20	10	-	-	-
06160-208	B	tumbled	8	40	14	-	25	14	-	-	-
06160-210	B	tumbled	10	50	18	-	32	20	-	-	-
06160-212	B	tumbled	12	63	20	-	40	25	-	-	-
06160-216	B	tumbled	16	80	25	-	50	30	-	-	-
06160-220	B	tumbled	20	100	32	-	63	38	-	-	-
06160-306	C	tumbled	6	32	12	-	20	10	-	12	15

Overview of items

Order No.	Form	Surface finish body	D	D1	D2	D6	H	H3	L	T	T1
06160-308	C	tumbled	8	40	14	-	25	14	-	15	18
06160-310	C	tumbled	10	50	18	-	32	20	-	18	21
06160-312	C	tumbled	12	63	20	-	40	25	-	22	25
06160-316	C	tumbled	16	80	25	-	50	30	-	28	32
06160-320	C	tumbled	20	100	32	-	63	38	-	36	40
06160-406	D	tumbled	M6	32	12	6,4	20	10	-	10	-
06160-408	D	tumbled	M8	40	14	8,4	25	14	-	13	-
06160-410	D	tumbled	M10	50	18	10,5	32	20	-	16	-
06160-412	D	tumbled	M12	63	20	13	40	25	-	20	-
06160-416	D	tumbled	M16	80	25	17	50	30	-	20	-
06160-420	D	tumbled	M20	100	32	21	63	38	-	25	-
06160-506	E	tumbled	M6	32	12	-	20	10	-	12	15
06160-508	E	tumbled	M8	40	14	-	25	14	-	15	18
06160-510	E	tumbled	M10	50	18	-	32	20	-	18	21
06160-512	E	tumbled	M12	63	20	-	40	25	-	22	25
06160-516	E	tumbled	M16	80	25	-	50	30	-	28	32
06160-520	E	tumbled	M20	100	32	-	63	38	-	36	40
06160-606X15	L	tumbled	M6	32	12	-	20	-	15	-	-
06160-606X20	L	tumbled	M6	32	12	-	20	-	20	-	-
06160-606X25	L	tumbled	M6	32	12	-	20	-	25	-	-
06160-606X30	L	tumbled	M6	32	12	-	20	-	30	-	-
06160-606X40	L	tumbled	M6	32	12	-	20	-	40	-	-
06160-606X50	L	tumbled	M6	32	12	-	20	-	50	-	-
06160-608X20	L	tumbled	M8	40	14	-	25	-	20	-	-
06160-608X25	L	tumbled	M8	40	14	-	25	-	25	-	-
06160-608X30	L	tumbled	M8	40	14	-	25	-	30	-	-
06160-608X40	L	tumbled	M8	40	14	-	25	-	40	-	-
06160-608X50	L	tumbled	M8	40	14	-	25	-	50	-	-
06160-610X20	L	tumbled	M10	50	18	-	32	-	20	-	-
06160-610X25	L	tumbled	M10	50	18	-	32	-	25	-	-
06160-610X30	L	tumbled	M10	50	18	-	32	-	30	-	-
06160-610X40	L	tumbled	M10	50	18	-	32	-	40	-	-
06160-610X50	L	tumbled	M10	50	18	-	32	-	50	-	-
06160-612X20	L	tumbled	M12	63	20	-	40	-	20	-	-
06160-612X30	L	tumbled	M12	63	20	-	40	-	30	-	-
06160-612X40	L	tumbled	M12	63	20	-	40	-	40	-	-
06160-612X50	L	tumbled	M12	63	20	-	40	-	50	-	-