

## Item description/product images



## Description

**Material:**

Grip polyamide, glass bead reinforced.  
Threaded bolt: steel.

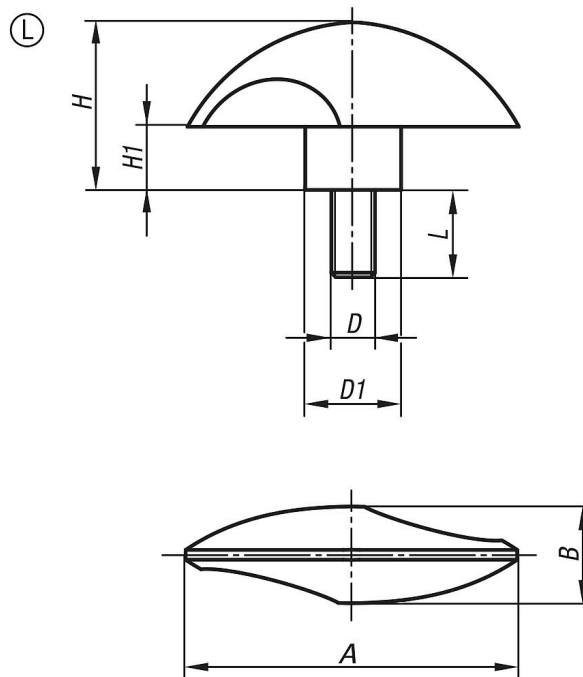
**Version:**

Steel electro zinc-plated.

**Note:**

Temperature resistance from -50 °C to 130 °C.  
Resistant to common chemicals and oils.

## Drawings



## Overview of items

Order No.	Form	A	B	D	D1	H	H1	L
06665-25006X15	L	51	15	M6	15	25,5	9,5	15
06665-26008X20	L	61,5	18	M8	18	31	11,5	20
06665-27510X20	L	76	22	M10	22	38,5	14,5	20