

Item description/product images



Description

Material:

Grip polyamide, glass bead reinforced.
 Bush brass or steel.
 Screw steel.

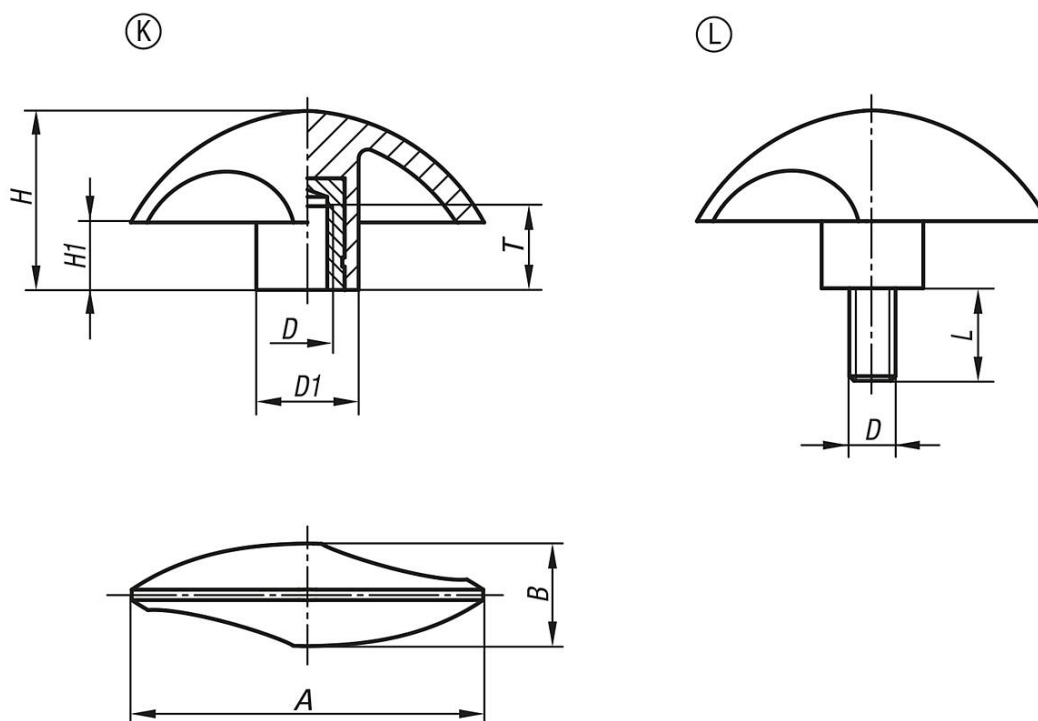
Version:

Steel electro zinc-plated.

Note:

Temperature resistance from -50 °C to 130 °C.
 Resistant to common chemicals and oils.

Drawings



Overview of items

Wing grips with internal thread

Order No.	Form	A	B	D	D1	H	H1	T
06665-15006	K	51	15	M6	15	25,5	9,5	14
06665-16008	K	61,5	18	M8	18	31	11,5	14
06665-17510	K	76	22	M10	22	38,5	14,5	14

Wing grips with external thread

Order No.	Form	A	B	D	D1	H	H1	L
06665-25006X15	L	51	15	M6	15	25,5	9,5	15
06665-26008X20	L	61,5	18	M8	18	31	11,5	20
06665-27510X20	L	76	22	M10	22	38,5	14,5	20

