

Item description/product images



Description

Material:

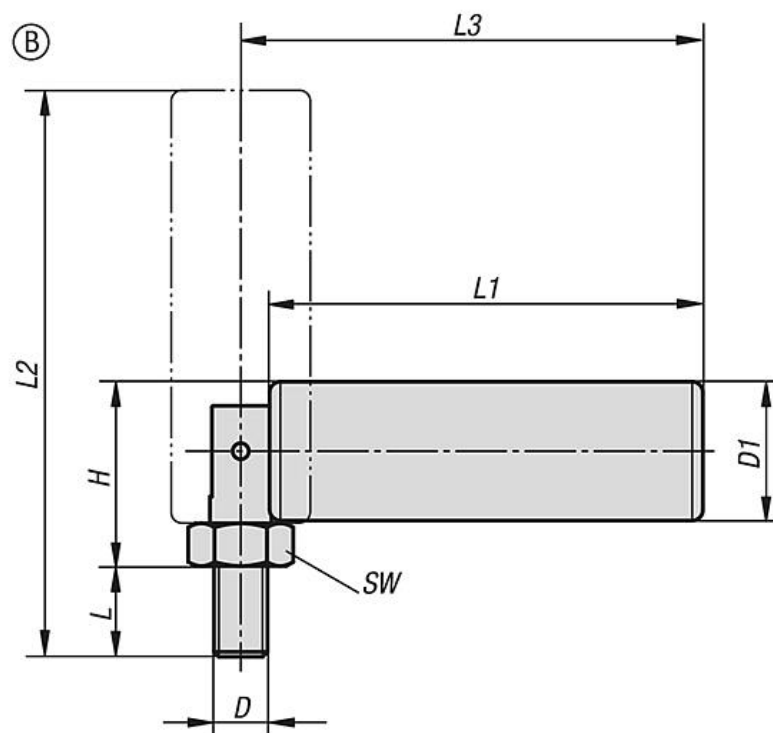
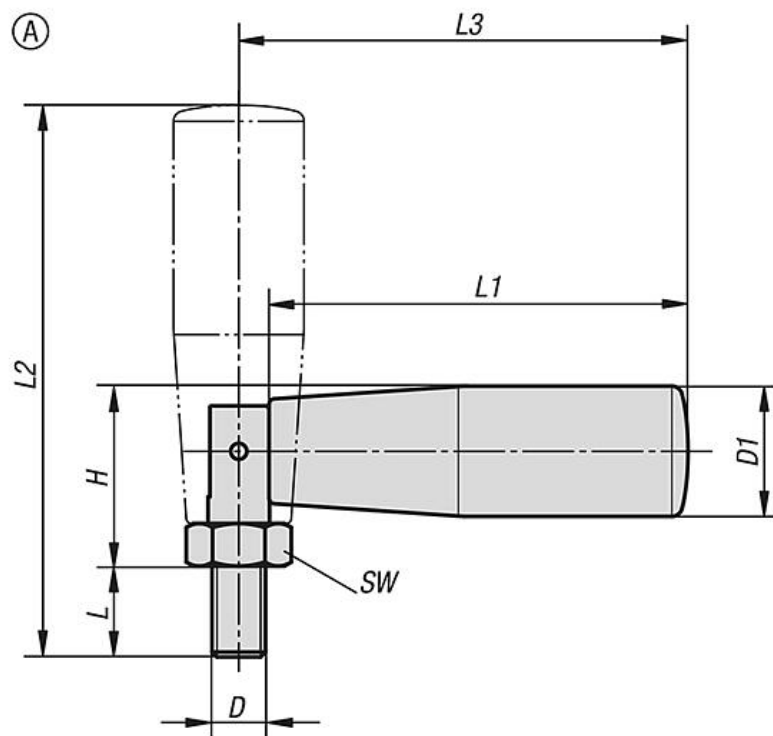
Grip thermoplastic.
Steel parts black oxidised.

Version:

Black satin finished.

Note:

Cylindrical grips can be screwed onto our handwheels, crank handles etc.



Overview of items

Order No.	Form	D	D1	SW	L	L1	L2	L3	H
06323-06200490	A	M6	20	10	9	49	63	53	24,5
06323-08250690	A	M8	25	13	11	70	87,5	74	28
06323-10260890	B	M10	26	17	16	90	114	96	34