

Item description/product images



Description

Material:

Grip thermoplastic.
Steel parts electro zinc-plated.

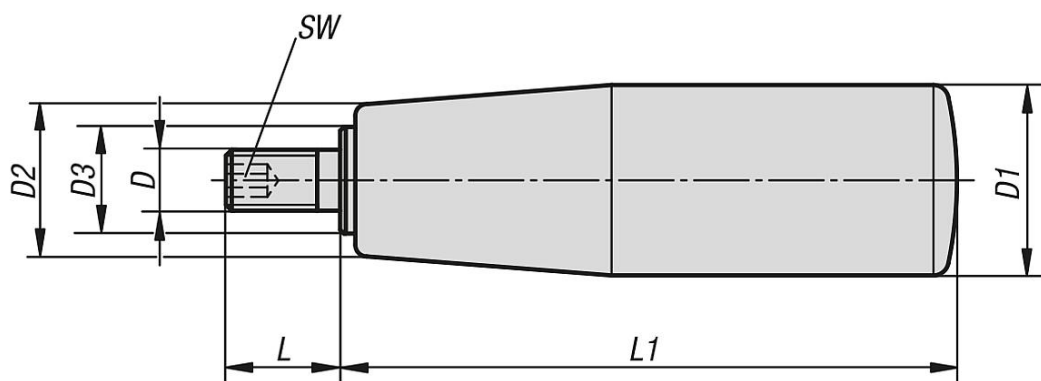
Version:

Black satin finished.

Note:

Cylindrical grips can be screwed onto our handwheels, crank handles etc.

Drawings



Overview of items

Order No.	D	D1	D2	D3	L	L1	SW
06321-06200520	M6	20	15	10	12	51	3
06321-06230620	M6	23	18	10	12	62	3
06321-08230620	M8	23	18	10	15	62	4
06321-08250720	M8	25	19	10	15	71	4
06321-10250720	M10	25	19	10	15	71	4
06321-08250810	M8	26	22	14	15	81	4
06321-10250810	M10	26	22	14	15	81	5
06321-12260820	M12	26	22	14	15	81	5
06321-10270930	M10	27	22	14	15	92	5
06321-12270930	M12	27	22	14	15	92	5