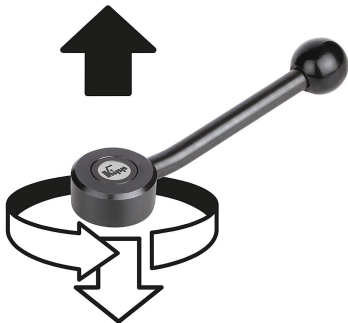


Item description/product images



lift to  
disengage



Description

Version:

Steel parts bright.

On request:

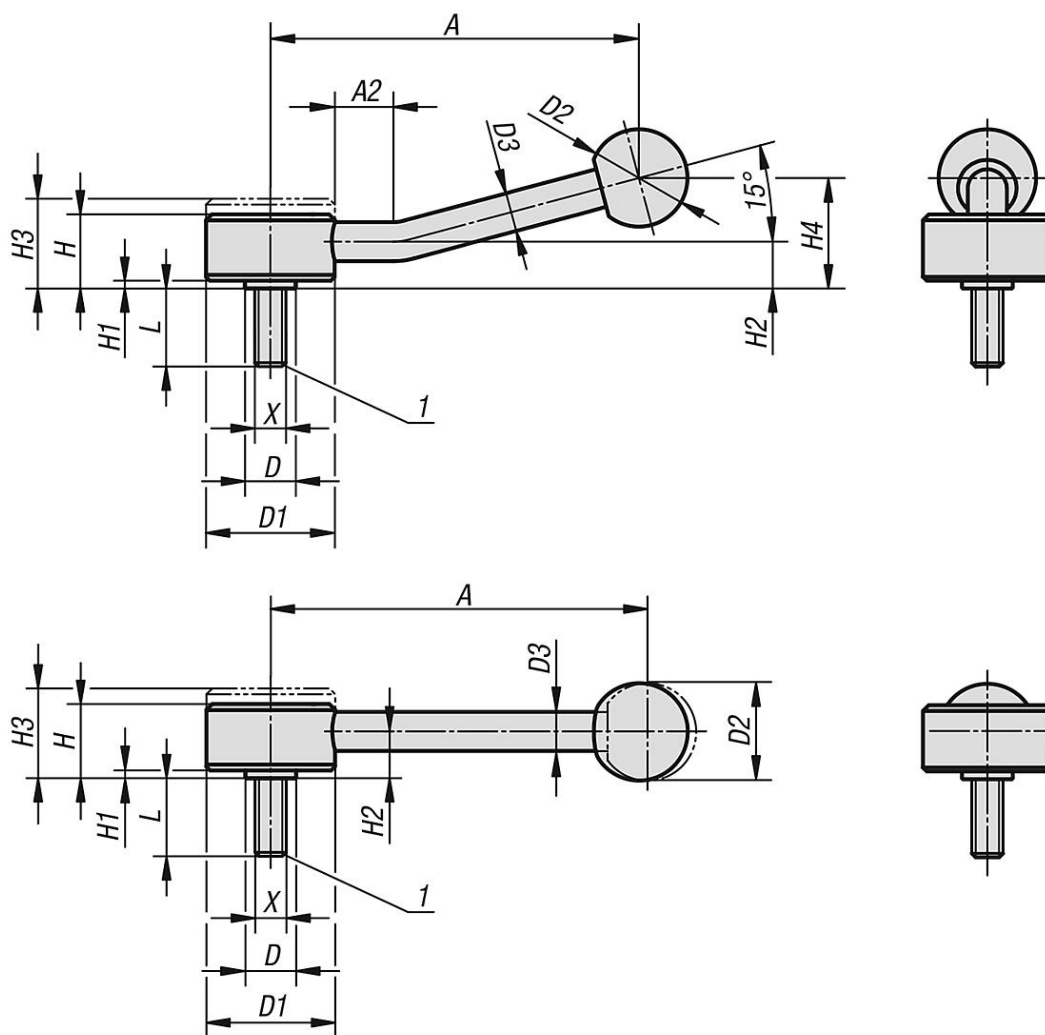
Other threads, screw lengths and special versions.

Dimensions "H1" and "A" available in other lengths at extra charge.

Drawing reference:

1) flat point DIN EN ISO 4753

Drawings



Overview of items

Order No.	Form	X	A=Handle length	A2	D	D1	D2	D3	H	H1	H2	H3	H4	No. of teeth	L
06401-1081X30	0°	M8	102	-	13,5	33	25	10	19	2	12	23	-	26	30
06401-1081X40	0°	M8	102	-	13,5	33	25	10	19	2	12	23	-	26	40
06401-1081X50	0°	M8	102	-	13,5	33	25	10	19	2	12	23	-	26	50
06401-2101X30	0°	M10	131	-	19	41	30	12	22	2	13,5	26	-	30	30
06401-2101X40	0°	M10	131	-	19	41	30	12	22	2	13,5	26	-	30	40
06401-2101X50	0°	M10	131	-	19	41	30	12	22	2	13,5	26	-	30	50
06401-2101X60	0°	M10	131	-	19	41	30	12	22	2	13,5	26	-	30	60
06401-2121X30	0°	M12	131	-	19	41	30	12	22	2	13,5	26	-	30	30
06401-2121X40	0°	M12	131	-	19	41	30	12	22	2	13,5	26	-	30	40
06401-2121X50	0°	M12	131	-	19	41	30	12	22	2	13,5	26	-	30	50
06401-2121X60	0°	M12	131	-	19	41	30	12	22	2	13,5	26	-	30	60
06401-3161X40	0°	M16	148	-	23	45	37	14	28	2	17	33	-	36	40
06401-3161X50	0°	M16	148	-	23	45	37	14	28	2	17	33	-	36	50
06401-3161X60	0°	M16	148	-	23	45	37	14	28	2	17	33	-	36	60
06401-1082X30	15°	M8	100	15	13,5	33	25	10	19	2	12	23	29	26	30
06401-1082X40	15°	M8	100	15	13,5	33	25	10	19	2	12	23	29	26	40
06401-1082X50	15°	M8	100	15	13,5	33	25	10	19	2	12	23	29	26	50
06401-2102X30	15°	M10	127	15	19	41	30	12	22	2	13,5	26	38	30	30
06401-2102X40	15°	M10	127	15	19	41	30	12	22	2	13,5	26	38	30	40

## Overview of items

Order No.	Form	X	A=Handle length	A2	D	D1	D2	D3	H	H1	H2	H3	H4	No. of teeth	L
06401-2102X50	15°	M10	127	15	19	41	30	12	22	2	13,5	26	38	30	50
06401-2102X60	15°	M10	127	15	19	41	30	12	22	2	13,5	26	38	30	60
06401-2122X30	15°	M12	127	15	19	41	30	12	22	2	13,5	26	38	30	30
06401-2122X40	15°	M12	127	15	19	41	30	12	22	2	13,5	26	38	30	40
06401-2122X50	15°	M12	127	15	19	41	30	12	22	2	13,5	26	38	30	50
06401-2122X60	15°	M12	127	15	19	41	30	12	22	2	13,5	26	38	30	60
06401-3162X40	15°	M16	145	15	23	45	37	14	28	2	17	33	48	36	40
06401-3162X50	15°	M16	145	15	23	45	37	14	28	2	17	33	48	36	50
06401-3162X60	15°	M16	145	15	23	45	37	14	28	2	17	33	48	36	60