

Item description/product images



Description

Material:

Form A,G: Foot high carbon steel, ball element free-cutting steel.

Form B: All stainless steel

Form C: Foot POM, ball element free-cutting steel.

Form D: Foot POM, ball element stainless steel.

Anti-slip plate thermoplastic elastomer.

Version:

Form A: Ball element case-hardened and black oxidised.

Form B: Bright.

Form C: Ball element case-hardened and black oxidised.

Form D: Ball element bright.

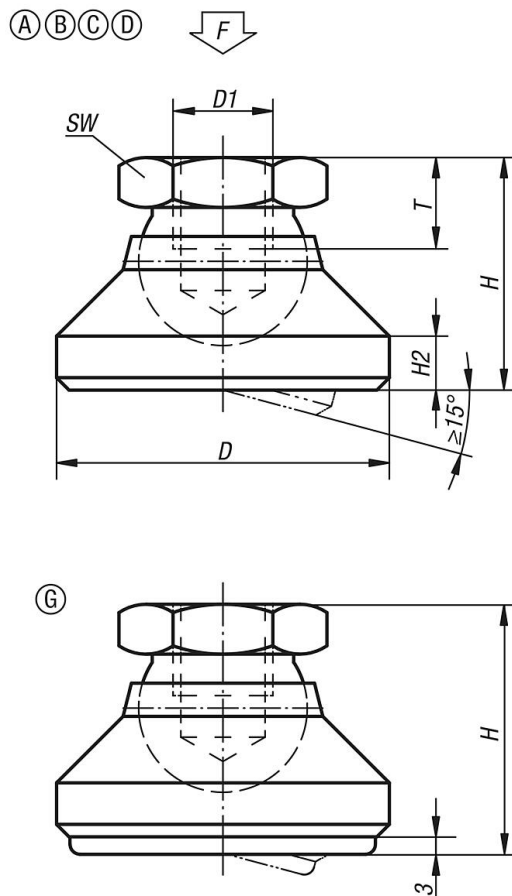
Form G: Ball element case hardened and black oxidised, foot with anti-slip plate.

Note:

The anti-slip plate absorbs vibrations and prevents the swivel foot slipping

The loading indicated in the table is a recommendation up to which permanent static load the swivel foot can be used.

Drawings



Overview of items

Order No. Form A	Order No. Form B	D	D1	H	H2	T	SW	Load rating max. kN
07144-106	07144-306	20	M6	15	2,5	8,5	10	10
07144-108	07144-308	25	M8	18	4	9	13	18
07144-110	07144-310	32	M10	22	5	10	17	20
07144-112	07144-312	40	M12	26	6	12	19	35
07144-116	07144-316	50	M16	32	7	14	24	45
07144-120	07144-320	60	M20	42	8	18	30	55

Order No. Form C	Order No. Form D	D	D1	H	H2	T	SW	Load rating max. kN
07144-506	07144-206	20	M6	15	2,5	8,5	10	4
07144-508	07144-208	25	M8	18	4	9	13	7
07144-510	07144-210	32	M10	22	5	10	17	10
07144-512	07144-212	40	M12	26	6	12	19	18
07144-516	07144-216	50	M16	32	7	14	24	20
07144-520	07144-220	60	M20	42	8	18	30	22

Order No. Form G	D	D1	H	H2	T	SW	Load rating max. kN (static load only)
07144-410	32	M10	25	5	10	17	12
07144-412	40	M12	29	6	12	19	17
07144-416	50	M16	35	7	14	24	20
07144-420	60	M20	45	8	18	30	24