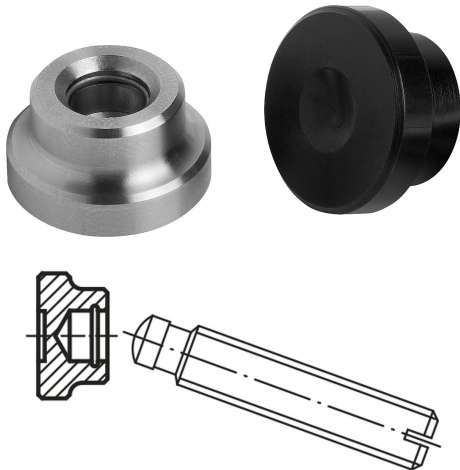


Item description/product images



Description

Material:

Steel: case-hardened. Snap ring spring steel.

Stainless steel: bright. Snap ring stainless steel.

Version:

Steel black oxidised.

Stainless steel bright.

Note:

To press onto a thrust point, incline the point as far as possible over the snap ring opening and twist in. The snap ring is supplied assembled.

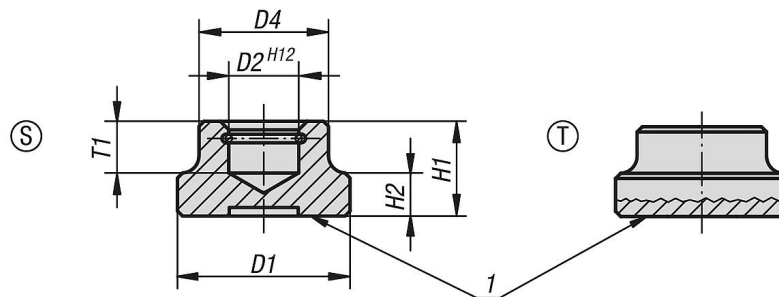
Drawing reference:

Form S: standard thrust pad

Form T: low version, large thrust face

1) thrust face

Drawings



Overview of items

Order No. steel	Order No. stainless steel	Form	D1	D2	D4	H1	H2	T1	For grub screws with trust point DIN 6332
07140-06	07140-061	S	12	4,6	10	7	2,5	4	M6
07140-08	07140-081	S	16	6,1	12	9	4	5	M8
07140-10	07140-101	S	20	8,1	15	11	5	6	M10
07140-12	07140-121	S	25	8,1	18	13	7	7	M12
07140-16	07140-161	S	32	12,1	22	15	7	7,5	M16
07140-20	07140-201	S	40	15,6	28	16	9	8	M20
07140-108	-	T	25	6,1	12	8	4	4,5	M8
07140-110	-	T	32	8,1	18	10	6	6	M10 / M12
07140-116	-	T	40	12,1	22	12	7	7	M16