

Item description/product images



Description

Material:

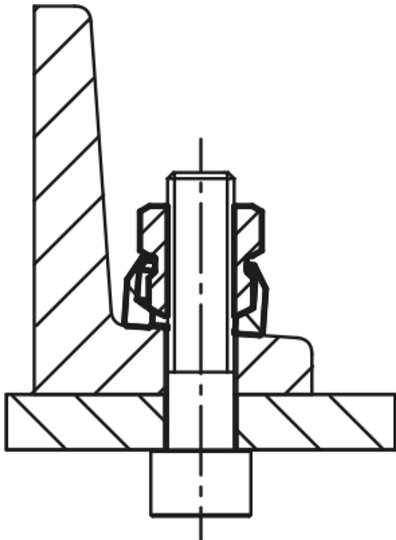
Carbon steel or stainless steel A2.

Version:

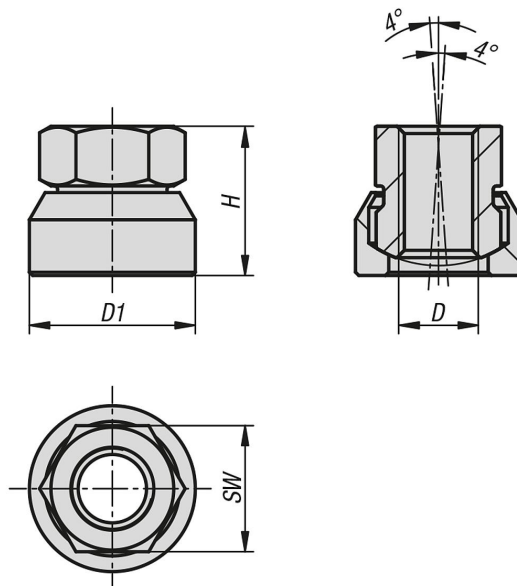
Steel version:  
tempered to 900 N/mm<sup>2</sup>, black oxidised.  
Stainless steel version:  
tempered to 900 N/mm<sup>2</sup>, bright.

Note:

Captive components (one-piece).



Drawings



Overview of items

Order No.	Main material	D	D1	H	SW
07265-08	steel	M8	18	15	13

## Overview of items

Order No.	Main material	D	D1	H	SW
07265-10	steel	M10	22	18,5	17
07265-12	steel	M12	25	22,5	19
07265-16	steel	M16	31	29	24
07265-808	stainless steel A2	M8	18	15	13
07265-810	stainless steel A2	M10	22	18,5	17
07265-812	stainless steel A2	M12	25	22,5	19
07265-816	stainless steel A2	M16	31	29	24