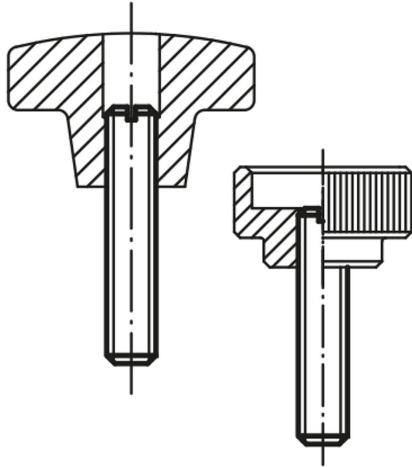


## Item description/product images



## Description

**Material:**

Steel.

**Version:**

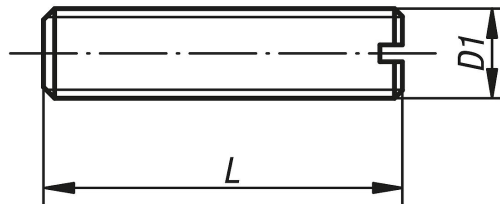
Bright, grade 5.8.

**Note:**

A solid joint between grub screw and counter-piece can often be made more cost-effectively by gluing it.

The LOCTITE products are especially suitable for this. See 97990.

## Drawings



## Overview of items

Order No.	D1	L
07630-06X	M6	20/25/30/35/40/45/50/60/70
07630-08X	M8	25/30/35/40/45/50/60/70/80
07630-10X	M10	25/30/35/40/45/50/60/70/80
07630-12X	M12	30/35/40/45/50/60/70/80/100
07630-16X	M16	30/35/40/45/50/60/70/80/100
07630-20X	M20	40/50/60/70/80/90/100