

Item description/product images



Description

Material:

Free-cutting steel.

Elastic ring polyamide (max. 100 °C).

Version:

Electro zinc-plated.

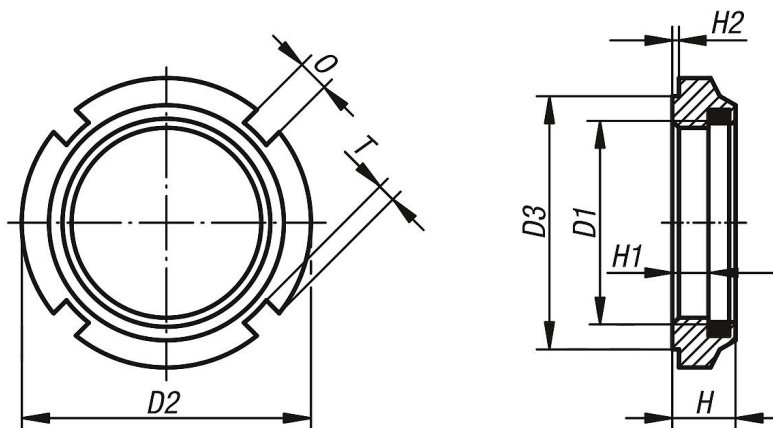
Note:

Elastic lock slotted nuts have enormous cost advantages. They do not need lock washers with folding tabs and so the expensive milling of a slot is not required.

The polyamide ring is resistant to petrol and oil.

Elastic lock slotted nuts can be used several times. They withstand the strongest vibrations and oscillations irrespective of the tightening torque and are therefore useful as adjustment nuts.

Drawings



Overview of items

Order No.	D1	D2	D3	H	H2	H1	T	O
07595-10	M10x1	18	15	7,6	0,5	4,4	1,5	3
07595-12	M12x1,5	21	18	9,2	0,5	5,7	1,5	3
07595-14	M14x1,5	24	21	10,7	0,5	6	1,5	4
07595-16	M16x1,5	28	24	10,7	0,5	6	2	4
07595-18	M18x1,5	28	24	10,7	0,5	7,3	2	4
07595-20	M20x1,5	32	27	9,6	0,5	6	2,5	4
07595-22	M22x1,5	38	33	12,7	0,5	7	2,5	5
07595-24	M24x1,5	38	33	10,7	0,5	6,2	2,5	5
07595-28	M28x1,5	44	38	11,2	0,5	6,9	3	5
07595-30	M30x1,5	44	38	11	0,5	6,5	3	5
07595-32	M32x1,5	50	44	11,2	0,5	6,6	3	5
07595-35	M35x1,5	50	44	11	0,5	7	3	5
07595-38	M38x1,5	53	47	12,2	0,5	6,6	3	5
07595-40	M40x1,5	56	50	12	0,5	7	3	6
07595-42	M42x1,5	62	55	15,2	0,5	10,6	3,5	6

