

Item description/product images



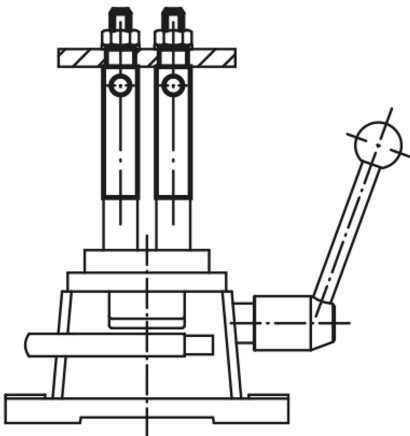
Description

Material:

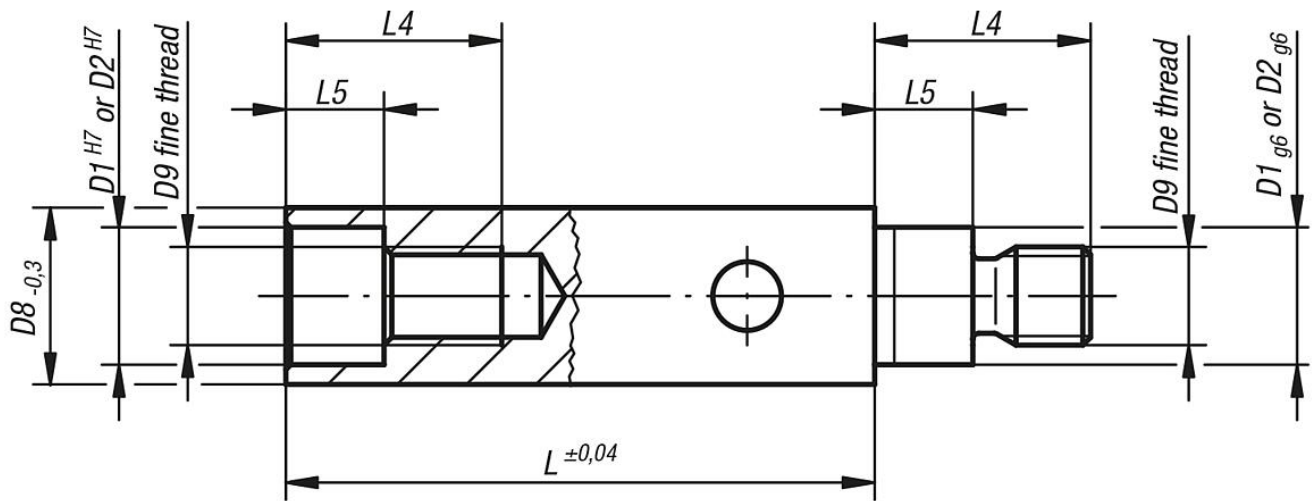
Hardened steel 1.7139

Version:

Hardened, black oxidised.



Drawings



Overview of items

Order No.	Suitable for jig size	D1	D2	D8	D9	L	L4	L5
08610-02	2 + 2S	16	16	25	M14x1,5	120	28	12
08610-03	3 + 3S + 4	20	18	30	M14x1,5	120	32	14,5
08610-05	5	24	22	40	M20x1,5	120	43	18
08610-06	6	26	24	40	M20x1,5	120	46	22