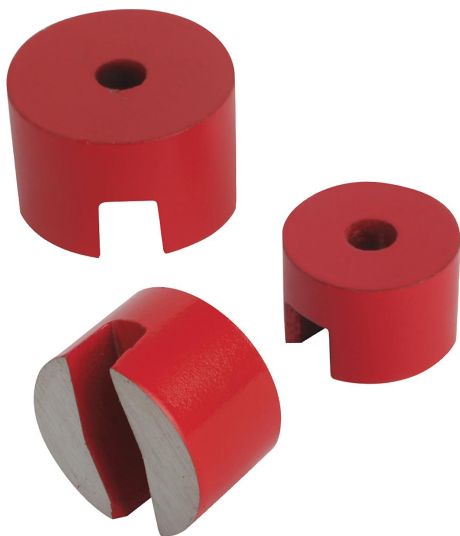


Item description/product images



Description

Material:
Magnetic core AlNiCo.

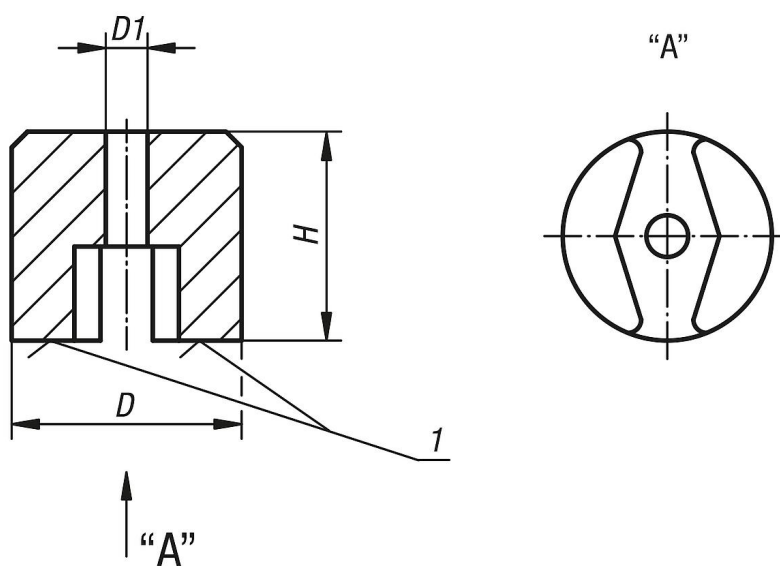
Version:
painted red.

Note:
Split attractive surface with through hole. Non-shielded system. Button magnets are used in laboratories, inspection rooms and for holding metal objects.

Temperature range:
max. 450°C.

Drawing reference:
1) magnetic face

Drawings



Overview of items

Order No.	D	D1	H	Magnetic force N
09098-01	13	4,5	10	7
09098-02	19	5,1	13	19
09098-03	25	5,1	16	29
09098-04	32	7	25	66