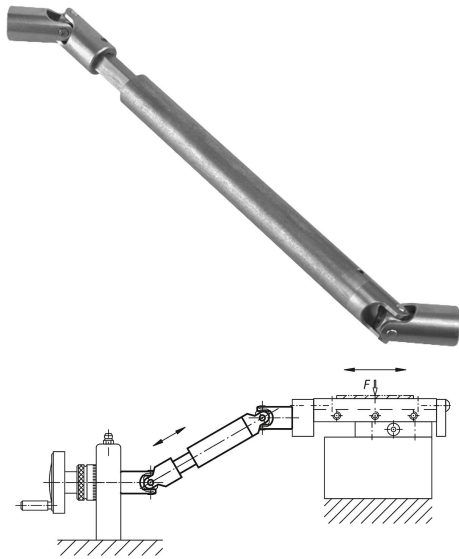


Item description/product images



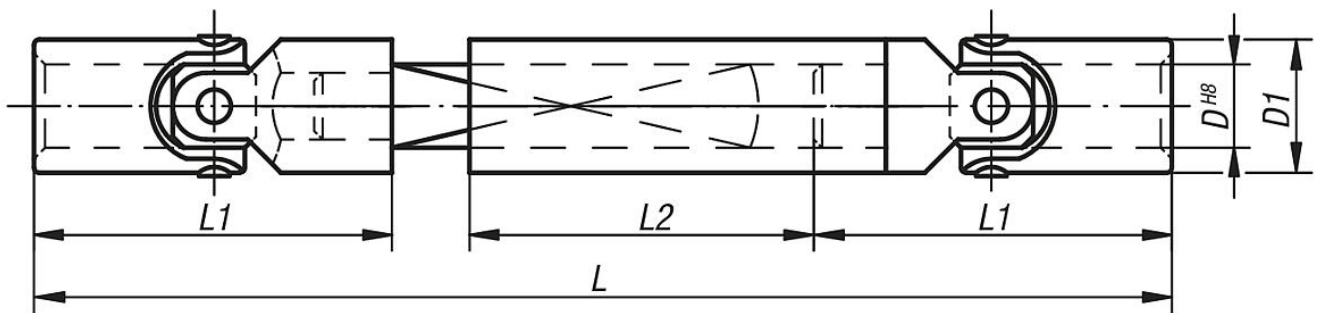
Description

Material:
Steel.

Version:
Bright.

Note:
These cardan shafts consist of two robust universal joints, one square shaft and a sliding sleeve. They are available in any desired length on request. Telescopic cardan shafts are suitable for manual drives or short-term machine drives at low speed.

Drawings



Overview of items

Order No.	D	D1	L	L1	L2	Extension	Shaft profile square	static fracture torque in Nm
23412-100230	10	16	230	52	120	80	8	35
23412-120260	12	20	260	62	130	90	10	80
23412-160340	16	25	340	74	160	110	12	140
23412-200420	20	32	420	86	200	130	16	280